

U.S.A./CANADA

EN Instructions for use

ES Instrucciones de uso

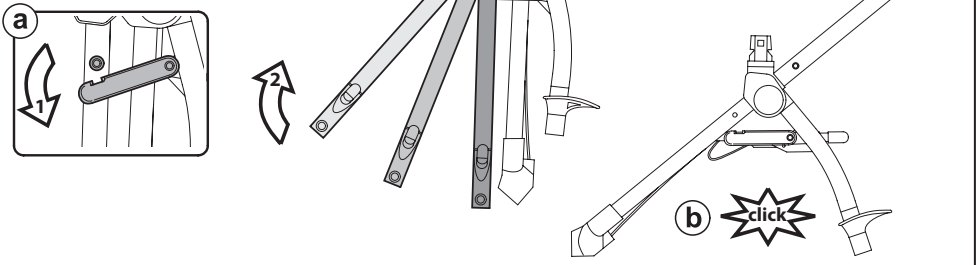
FR Notice d'emploi



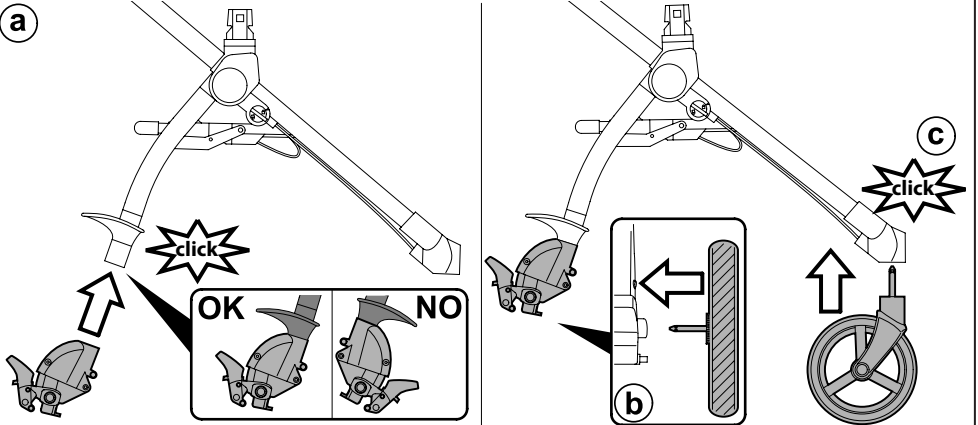
Ypsi

1

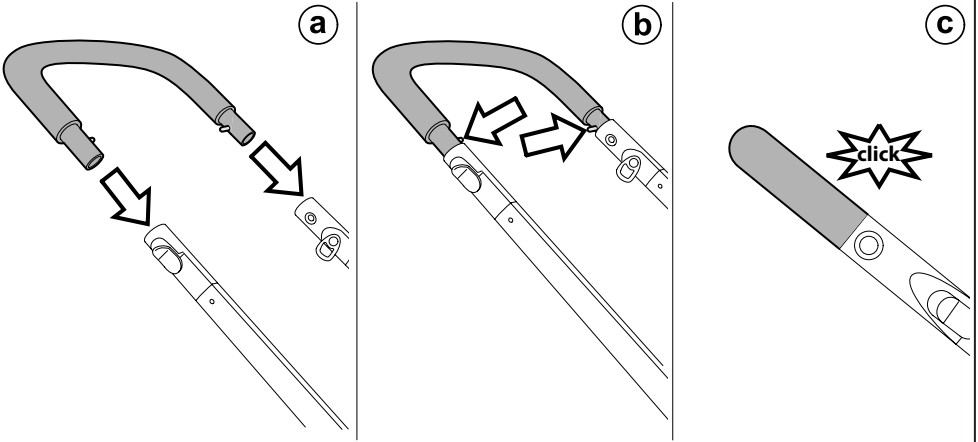
CHASSIS



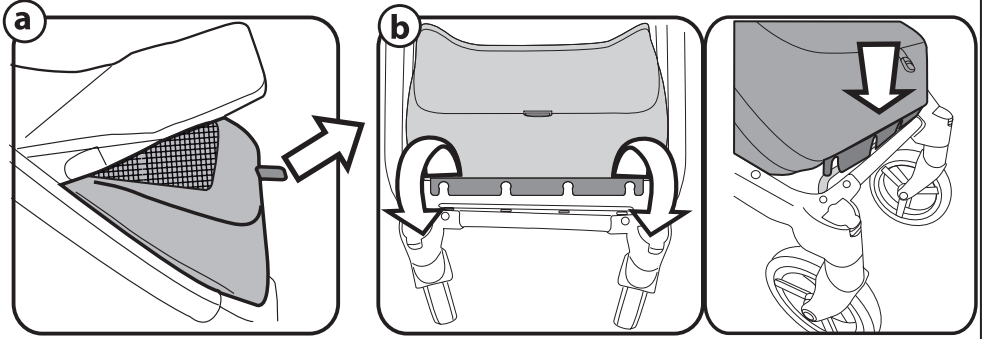
2



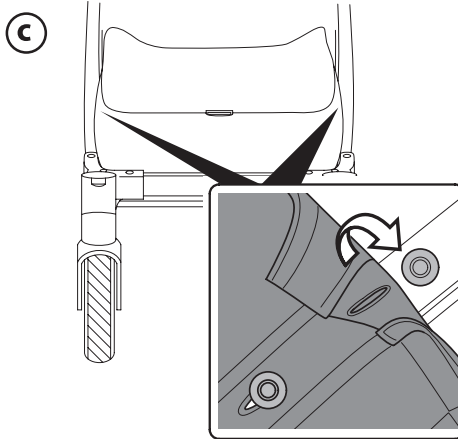
3



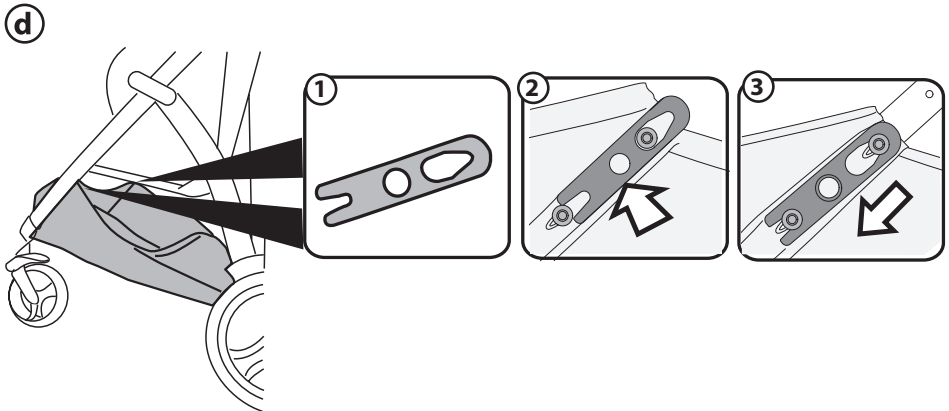
4



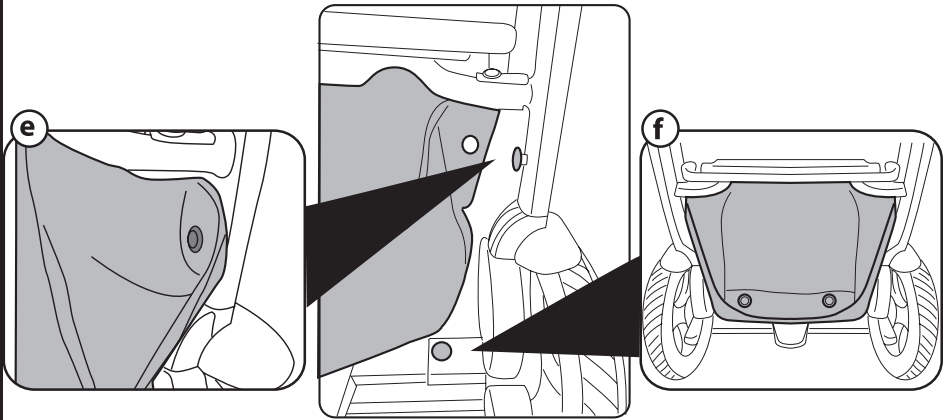
5



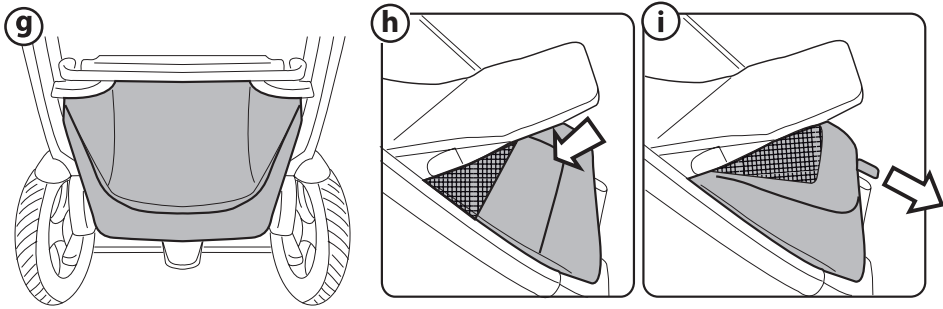
6



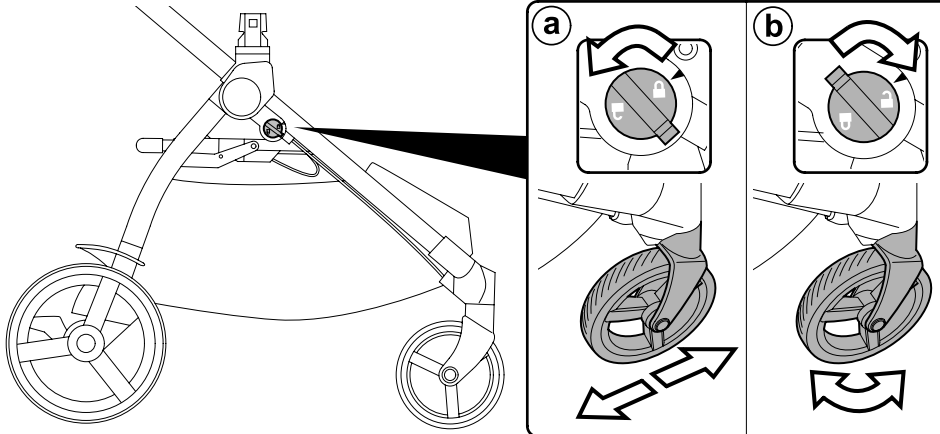
7



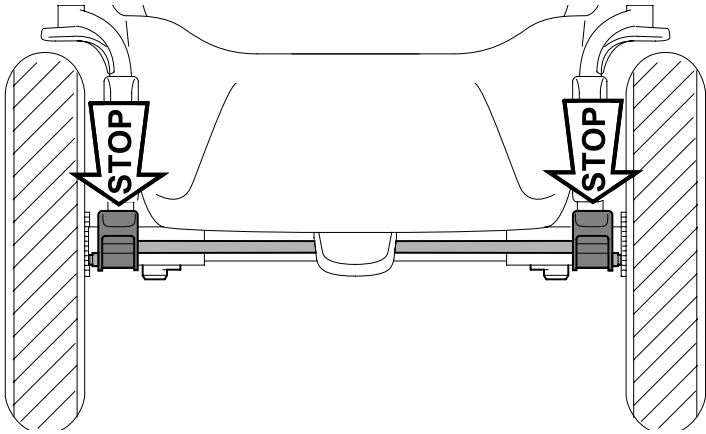
8



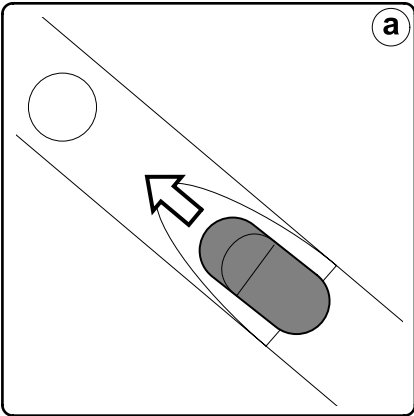
9



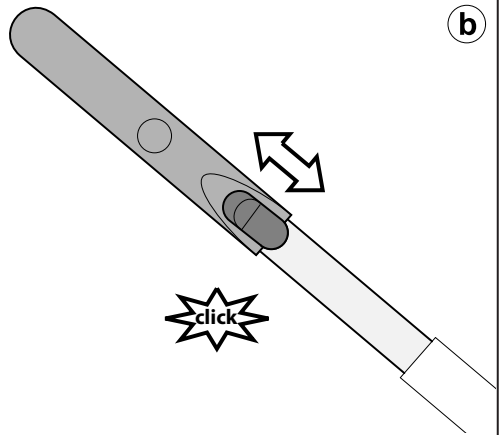
10



11

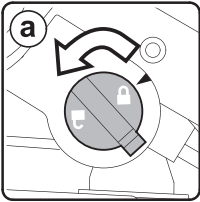


a

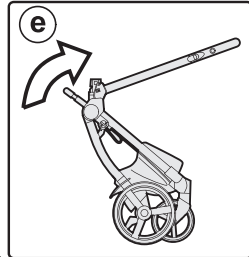
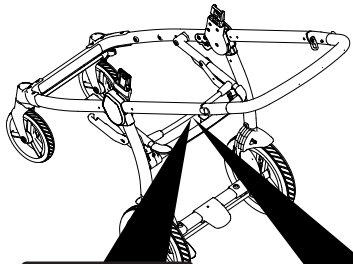


b

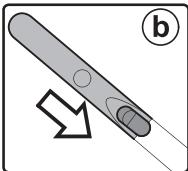
12



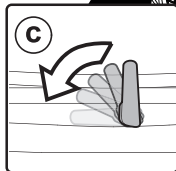
a



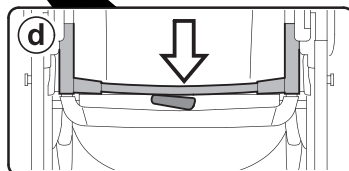
e



b

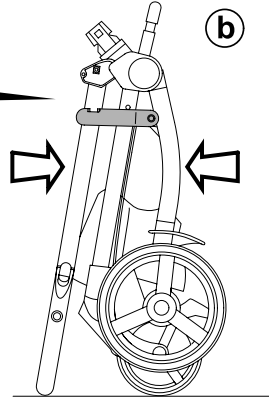
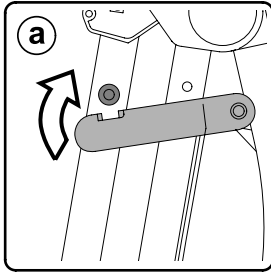


c

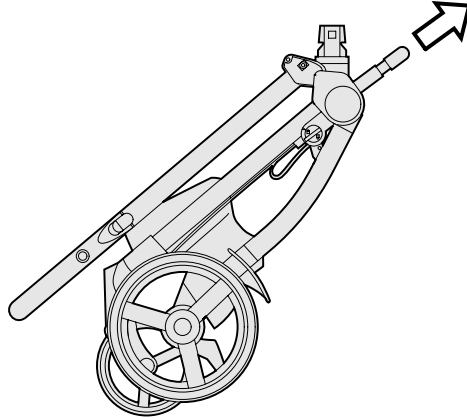


d

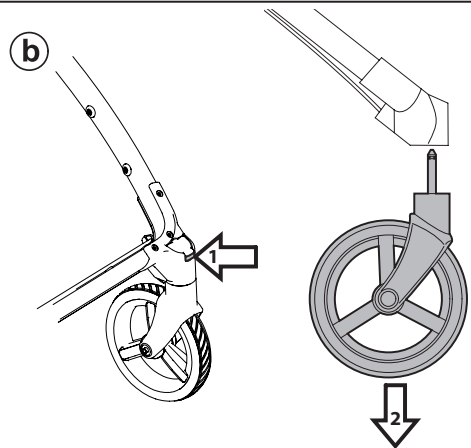
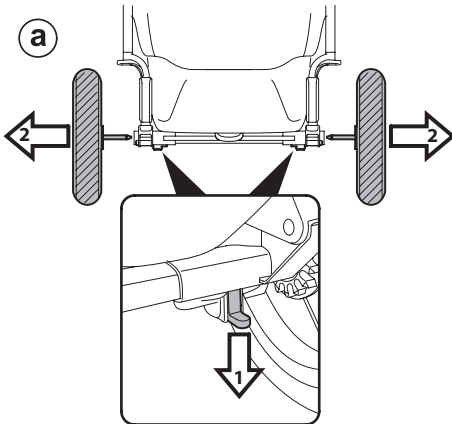
13



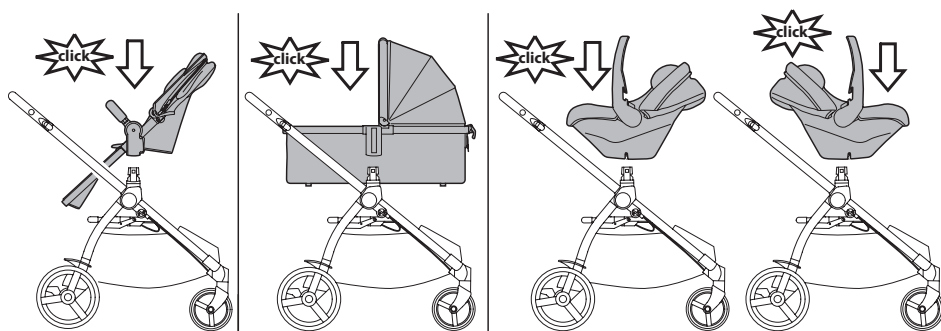
14



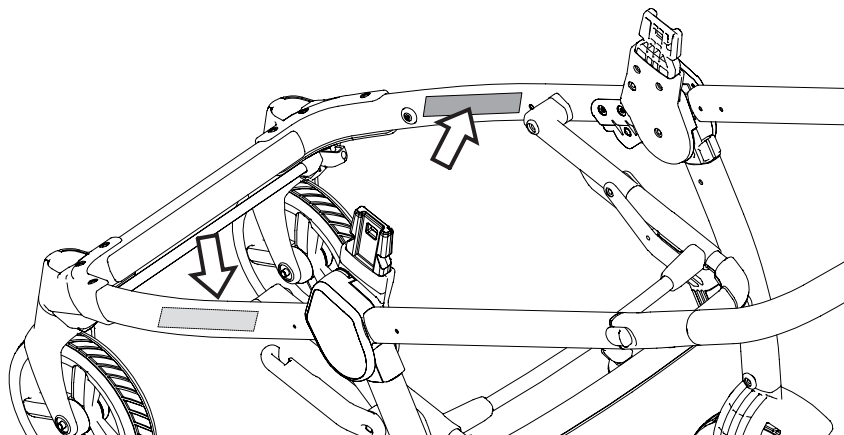
15



16

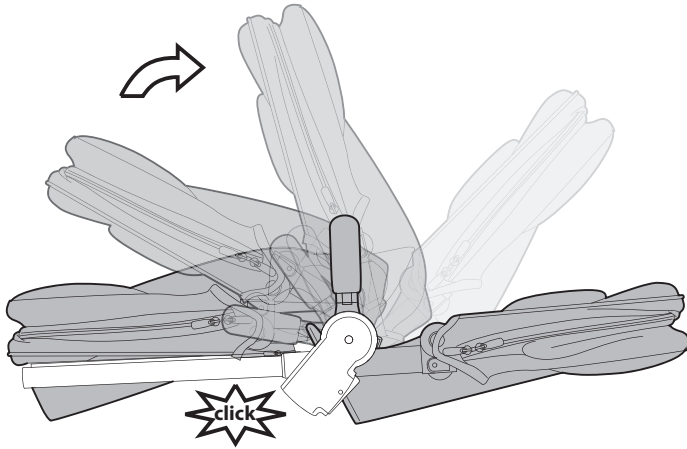


17

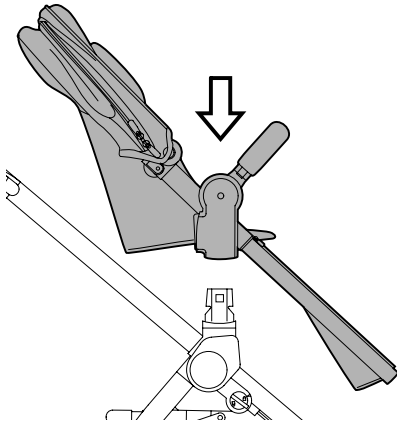


1

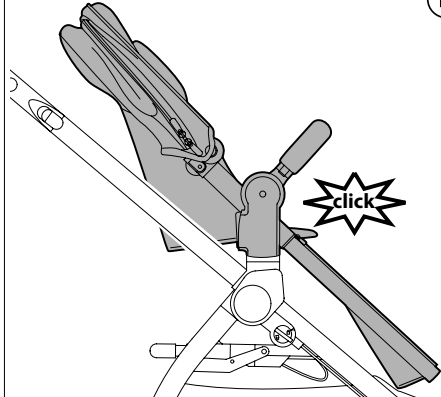
SEAT



2

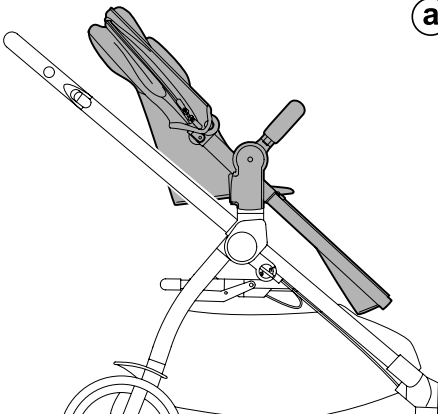


a

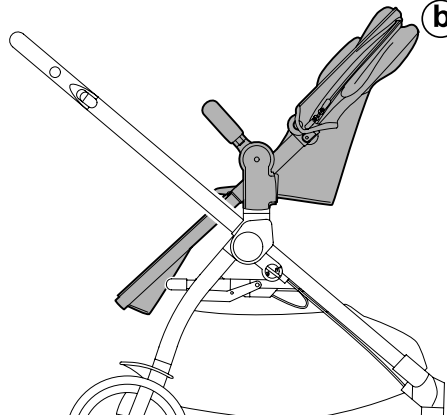


b

3

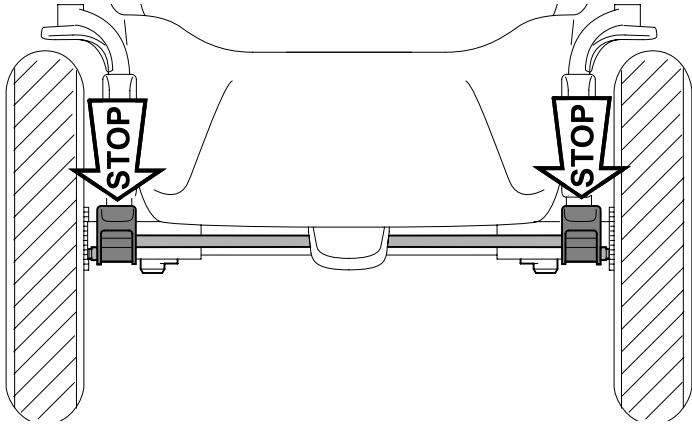


a

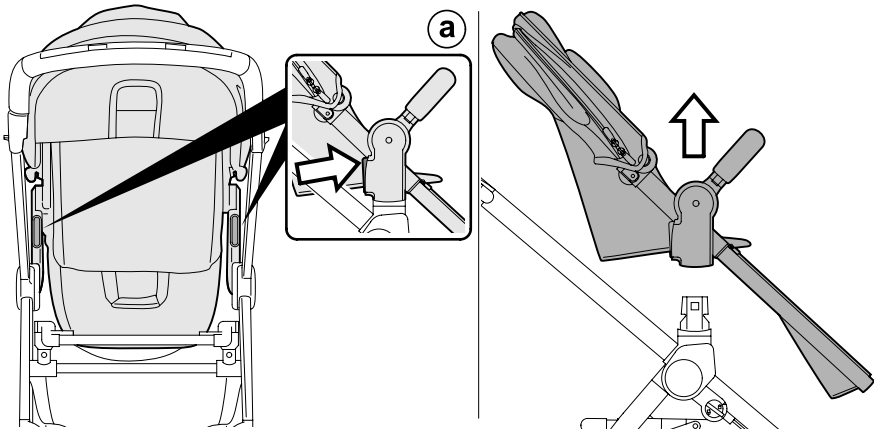


b

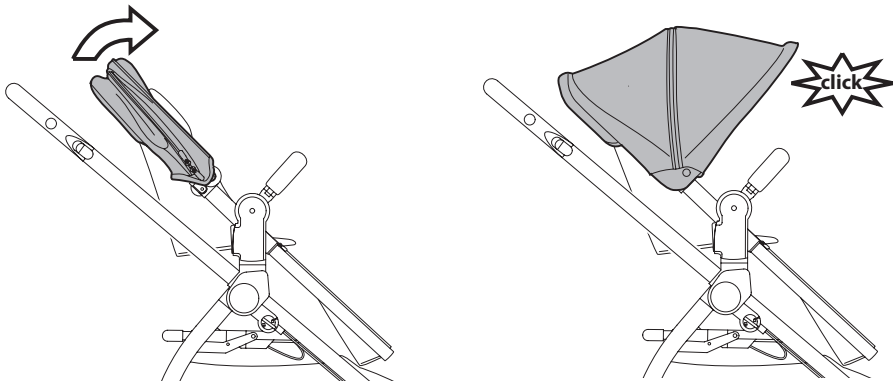
4

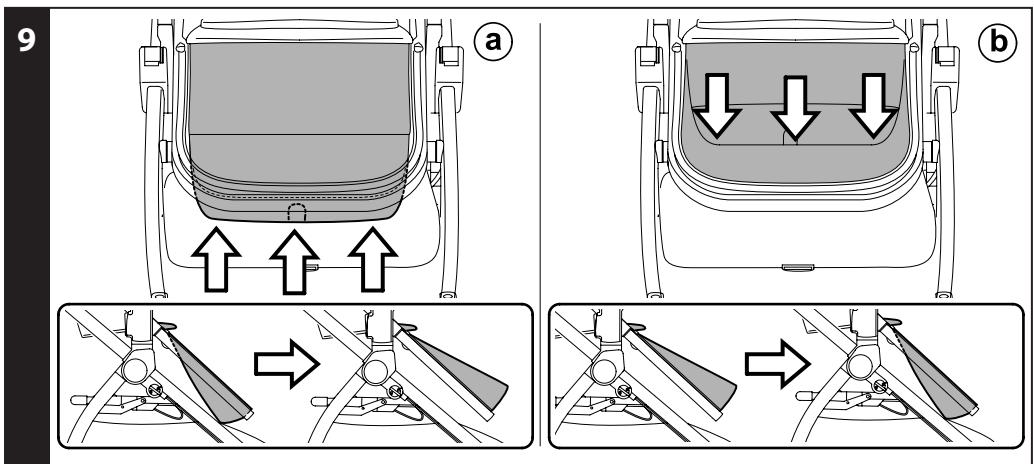
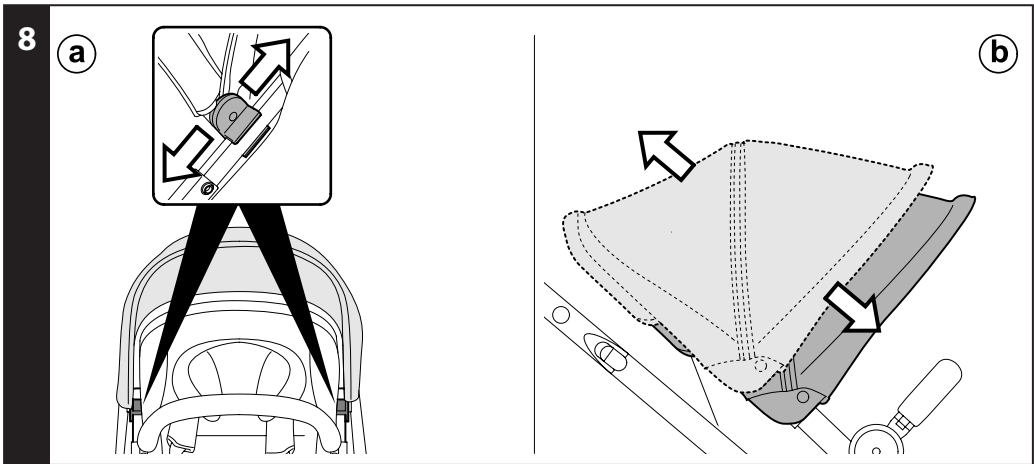
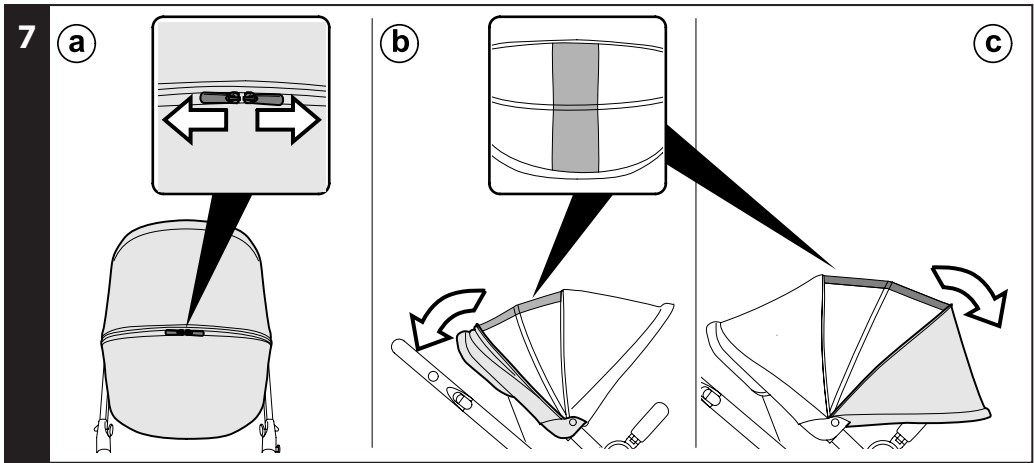


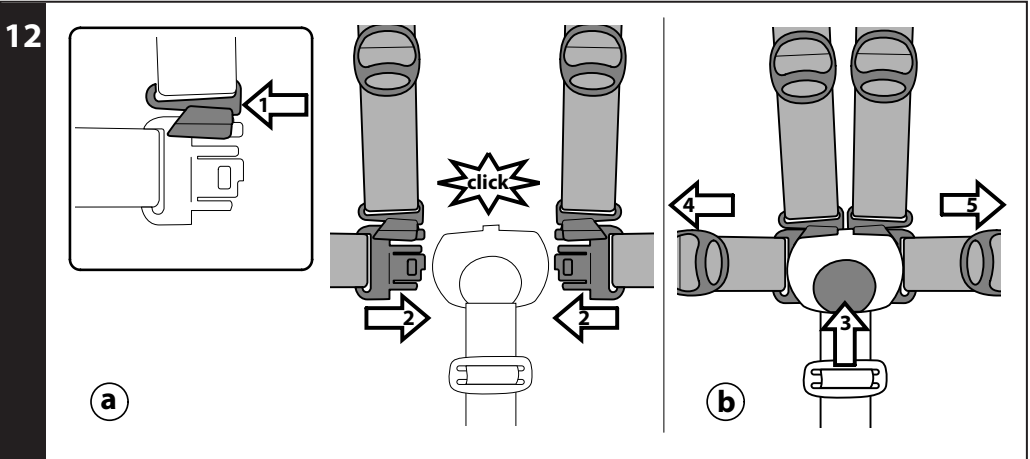
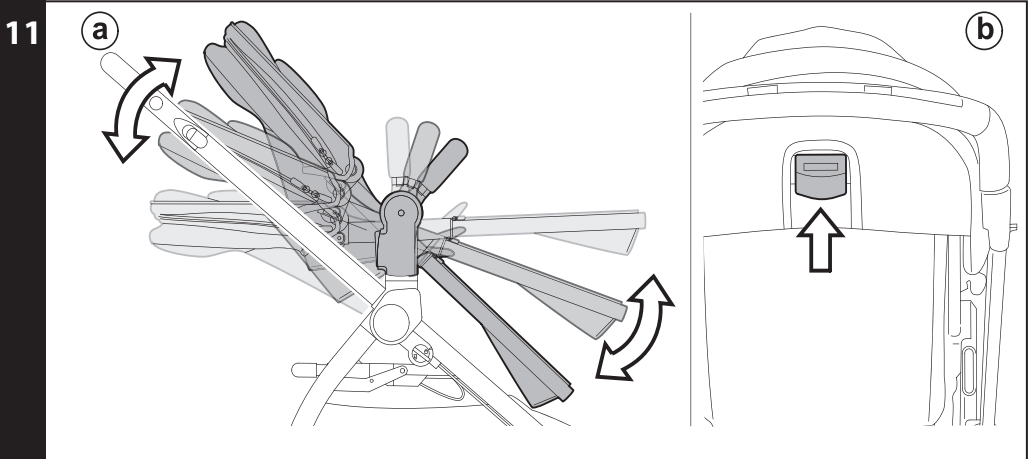
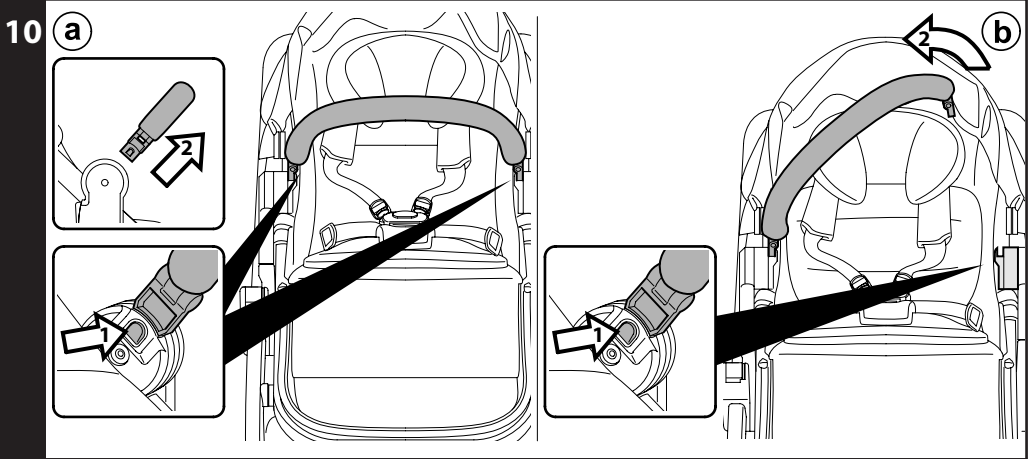
5



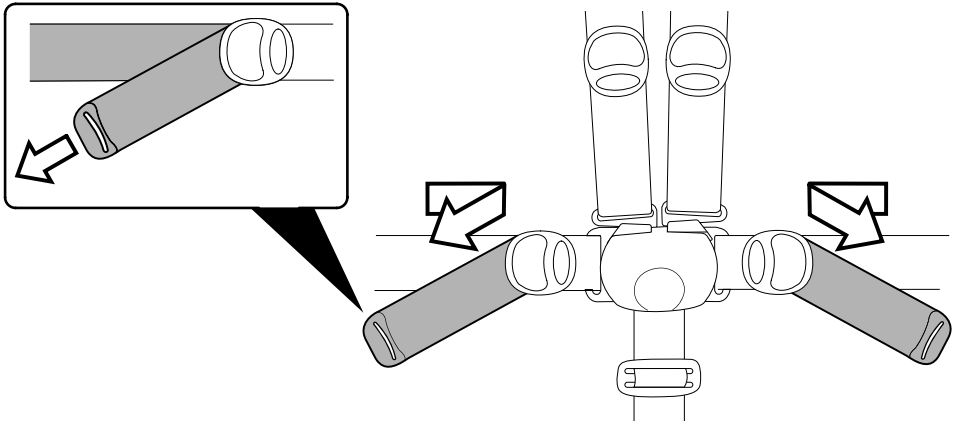
6



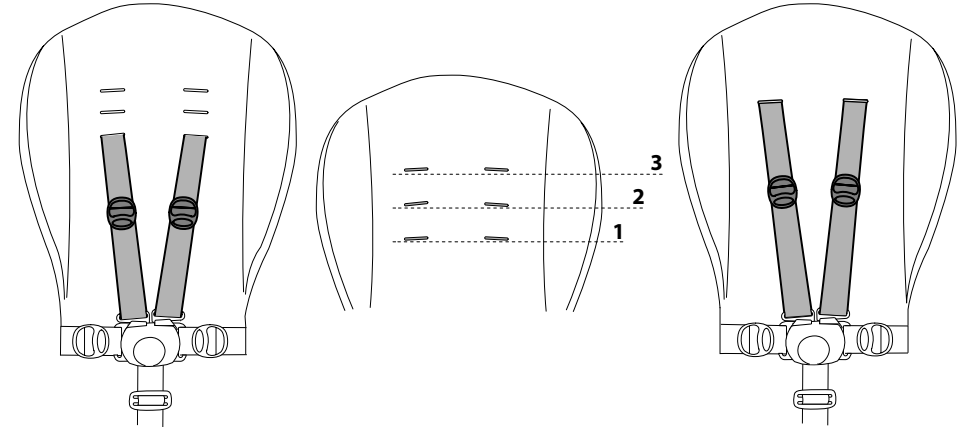




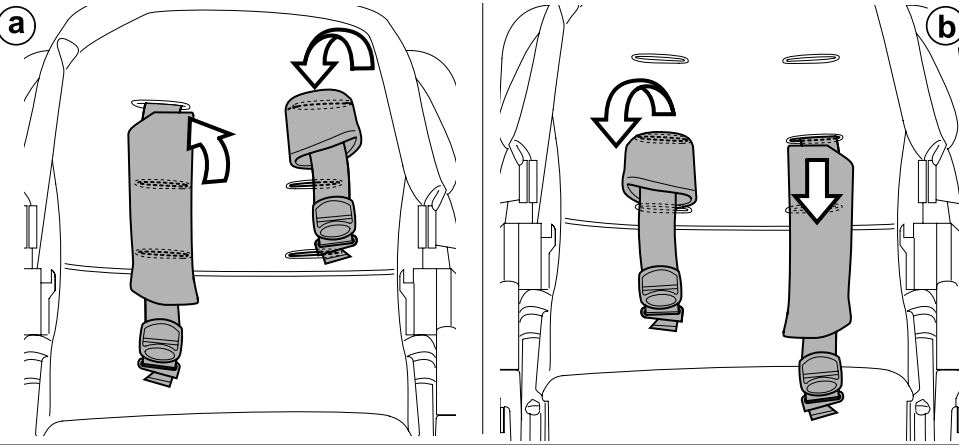
13



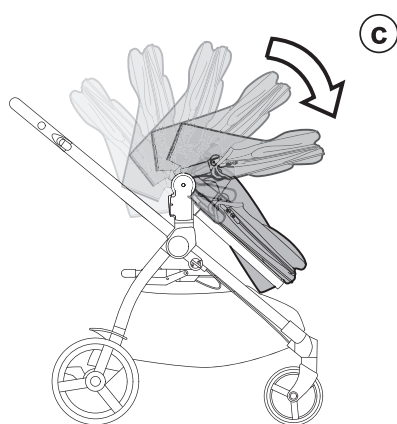
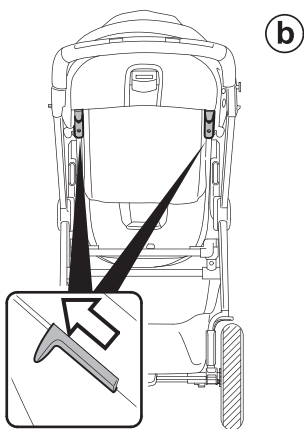
14



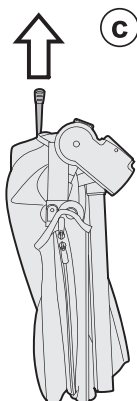
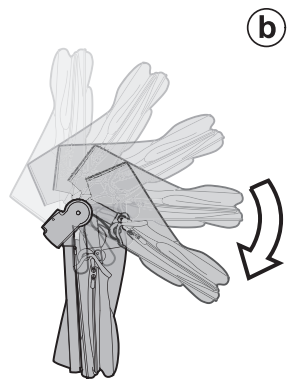
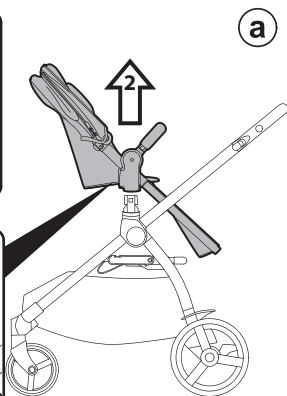
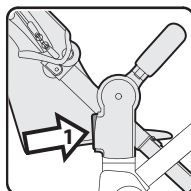
15



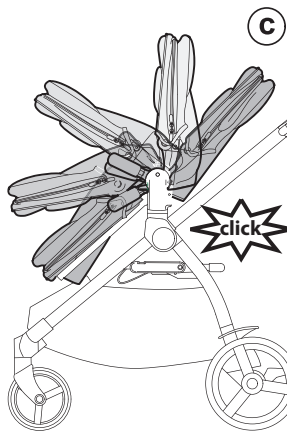
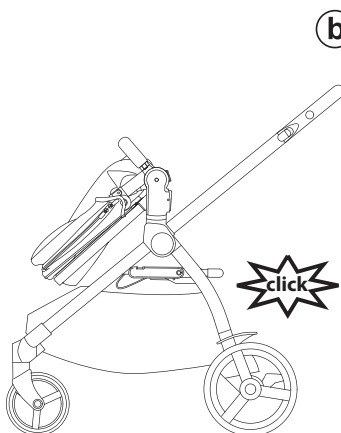
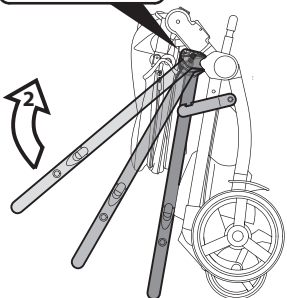
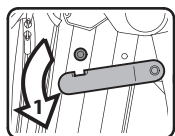
16



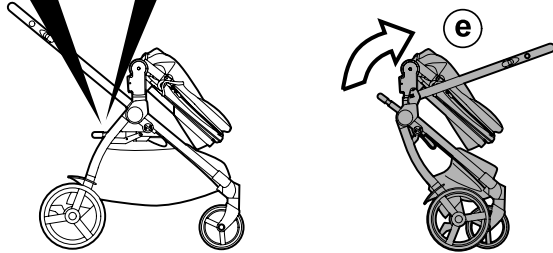
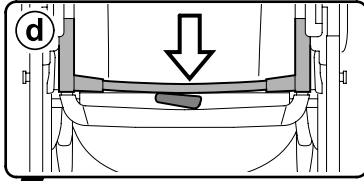
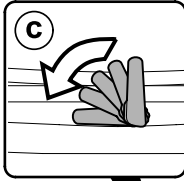
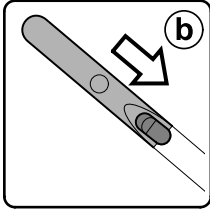
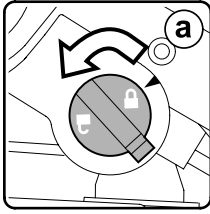
17



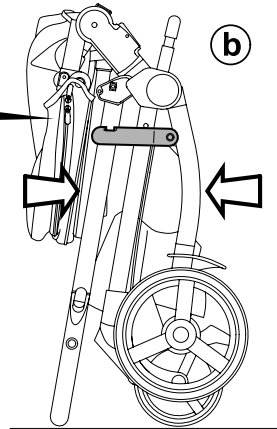
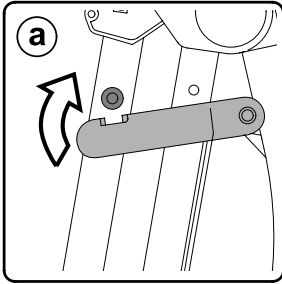
18



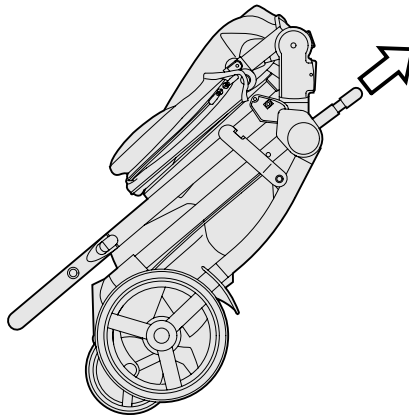
19



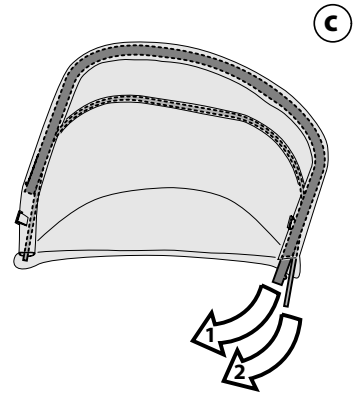
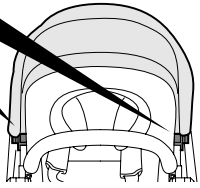
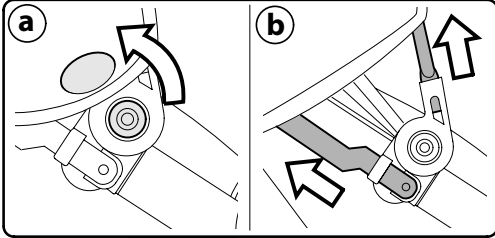
20



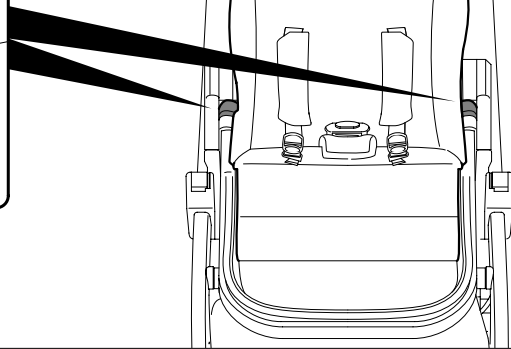
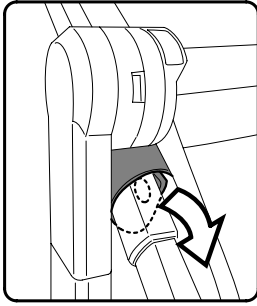
21



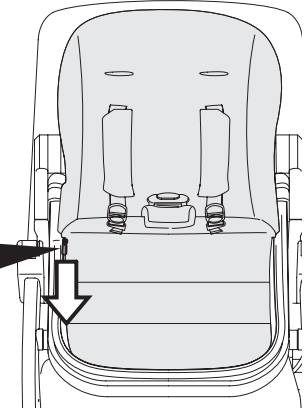
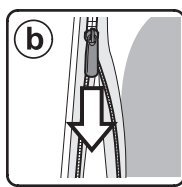
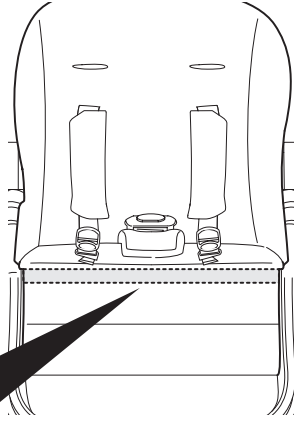
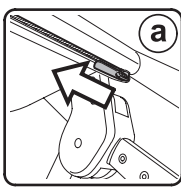
22



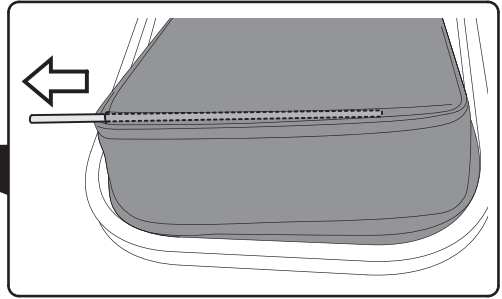
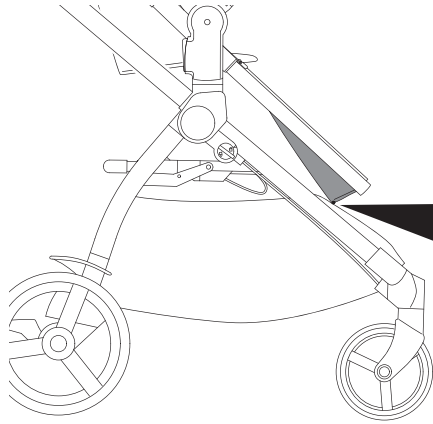
23



24

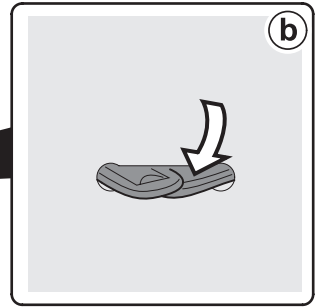
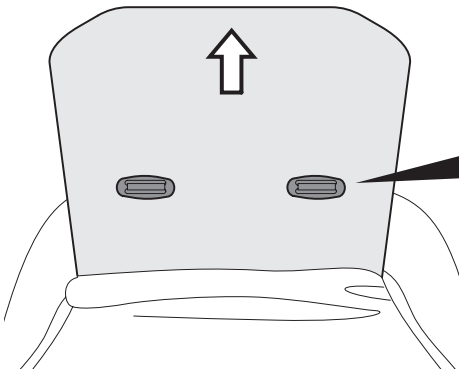


25



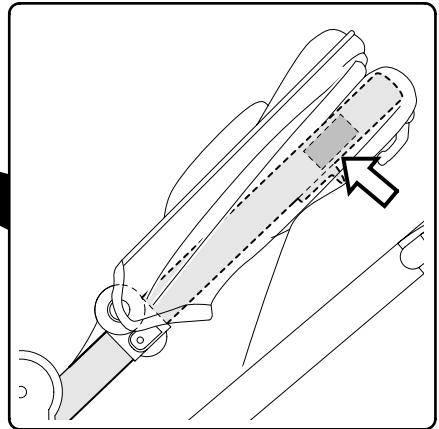
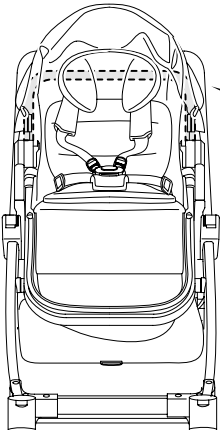
26

a

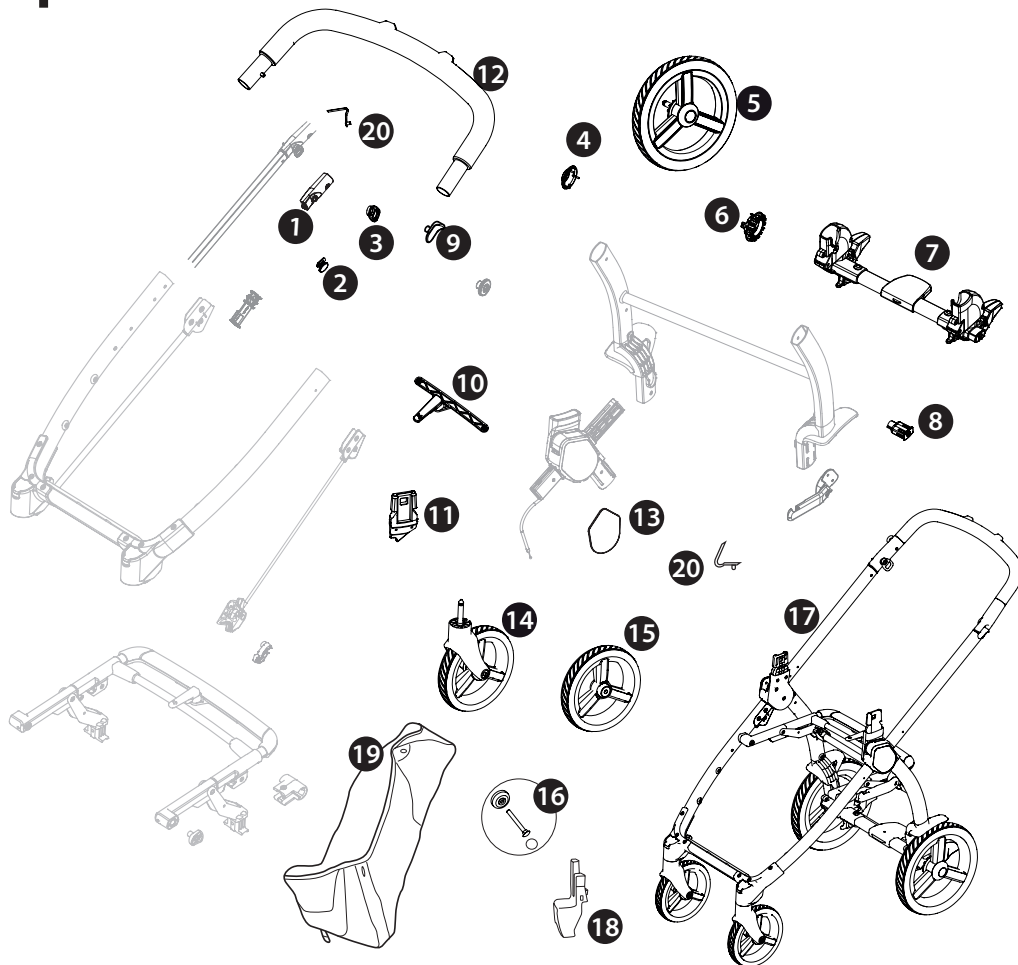


b

27



Ypsi Chassis



1 SPST7924DN
 SPST7924SN
 2 SPST7936N
 3 SPST7935N
 4 SPST6232KN
 5 SAPI10219NGP
 6 SPST7255N

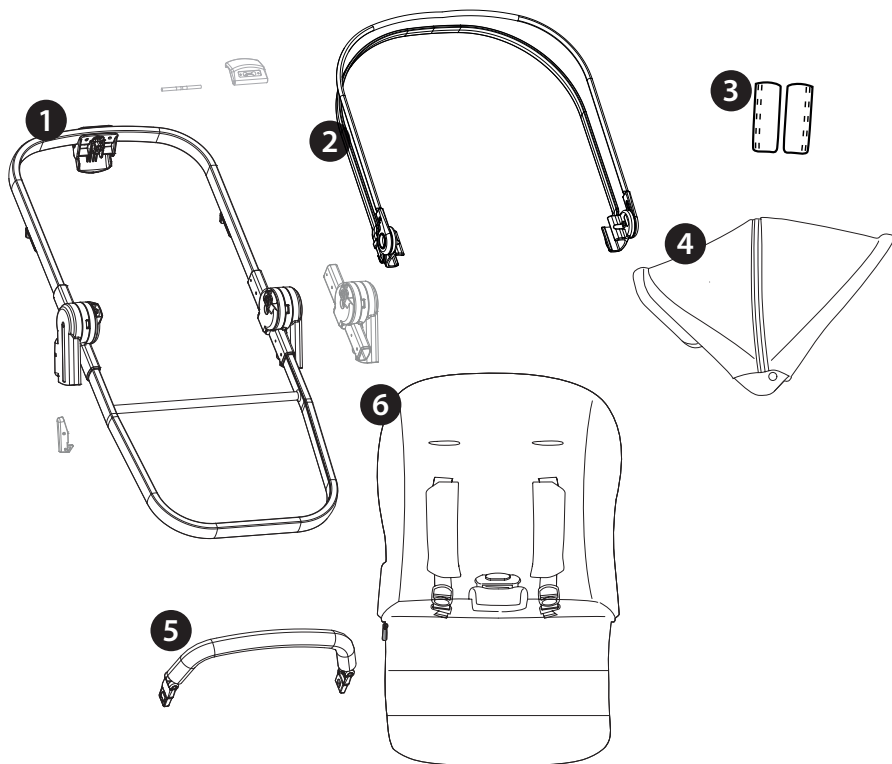
7 ARPI0730L89NGR
 8 SPST7309N
 9 SPST7925N
 10 SAPI10405NGR
 11 SPST10252DN
 SPST10252SN
 12 SAPI0696•

13 SPST7286KKDNPEG
 SPST7286KKSNPEG
 14 SAPI10218NGP
 15 SAPI7956KNN
 16 MMST0087N
 SPST7303N
 MMRA0007

MMCA0007L30
 17 ITCYP0000NL25•
 18 SAPI10260DNF
 SAPI10260SNF
 19 ERSHYPO0-SH01RT01
 20 MMMMO0025D

EN Spare parts available in different colours to be specified when ordering.
 ES Repuestos disponibles en otros colores que se especificarán en el pedido.
 FR Pièces de rechange disponibles en plusieurs couleurs à spécifier dans la demande.

Ypsi Seat



- 1 ITSE050000NL25
- 2 ASPI0225L89N
- 3 BPSYP00-
- 4 BCASYP00-
- 5 SAPH0231-
- 6 BSASYP00-

EN Spare parts available in different colours to be specified when ordering.
ES Repuestos disponibles en otros colores que se especificarán en el pedido.
FR Pièces de rechange disponibles en plusieurs couleurs à spécifier dans la demande.

EN English

Thank you for choosing a Peg-Pérego product.

WARNING

CAREFULLY READ INSTRUCTIONS AND KEEP FOR FUTURE USE.


THE CHILD'S SAFETY COULD BE PUT AT RISK IF THE INSTRUCTIONS ARE NOT FOLLOWED.

THIS PRODUCT IS DESIGNED FOR CHILDREN WHOSE MAXIMUM WEIGHT IS 50 lbs (22.7 KG) AND WHOSE MAXIMUM HEIGHT IS 43 INCHES (110 CM). THIS SHOPPER BASKET IS DESIGNED TO CARRY A MAXIMUM WEIGHT OF 15 POUNDS (7 KG). ANY POACH OR POCKET PROVIDED WITH THIS UNIT IS DESIGNED TO CARRY A MAXIMUM WEIGHT OF 0.44 lbs (0.2 KG). THIS ITEM WAS DESIGNED FOR USE IN COMBINATION WITH 1 PEG-PÉREGO PRIMO VIAGGIO 4•35 NIDO CAR SEAT, PRIMO VIAGGIO 4•35 CAR SEAT, YPSI SEAT.

BEFORE USE CHECK THAT THE CAR SEAT OR SEAT UNIT ARE CORRECTLY FIXED TO THE ITEM.

DO NOT PUT HOT DRINKS IN THE DRINK-HOLDER, NOR ITEMS WEIGHING MORE THAN 0,5 KG (1 LBS).

 **WARNING:** THE MAXIMUM WEIGHT ALLOWED TO HANG FROM THE HANDLEBAR IS 2,2 LBS (1 KG)

 **WARNING:** DO NOT APPLY GREATER WEIGHTS TO THE HANDLEBAR THAN THOSE SPECIFIED BY THE MANUFACTURER SO AS NOT TO COMPROMISE THE STABILITY AND SAFETY OF THE PRODUCT

FAILURE TO FOLLOW MANUFACTURER'S SPECIFICATIONS OR USE OF ACCESSORIES OTHER THAN THOSE APPROVED BY THE MANUFACTURER MAY CAUSE THE UNIT TO BECOME UNSTABLE.

 **WARNING:** AVOID SERIOUS INJURY FROM FALLING OR SLIDING OUT. ALWAYS USE COMPLETE 5

POINT SEAT BELT IN COMBINATION WITH THE SEAT UNIT.

 **WARNING:** NEVER LEAVE YOUR CHILD UNATTENDED.

ALWAYS USE ALL THE BRAKES WHENEVER PARKED.

TO AVOID SERIOUS INJURY, WHEN MAKING ADJUSTMENTS ENSURE THE CHILD'S BODY IS CLEAR OF ALL MOVING PARTS.

ALL OPERATING AND ASSEMBLY PROCEDURES SHOULD BE PERFORMED BY AN ADULT.

DO NOT LIFT THE STROLLER BY GRIPPING THE FRONT BAR. THE FRONT BAR IS NOT DESIGNED TO WITH STAND LOADS.

ENSURE THAT THE STROLLER IS OPENED CORRECTLY AND LOCKED IN POSITION OF USE.


CHECK TO MAKE SURE THAT THE CAR SEAT OR THE BABY CARRIAGE IS CORRECTLY FASTENED TO THE STROLLER (WHERE APPLICABLE).

DO NOT DRIVE THIS PRODUCT AROUND STAIRS OR STEPS; CARE MUST BE TAKEN IF UNIT IS USED ON STAIRS OR ESCALATORS.

DO NOT USE THE PRODUCT IF IT HAS BROKEN OR MISSING PARTS.

DO NOT USE NEAR FIRE OR EXPOSED FLAME.

 **WARNING:** KEEP CHILDREN AWAY WHILE OPENING AND CLOSING TO AVOID TRAPPING OR INJURY

 **WARNING:** WARNING! DO NOT ADD ANY MATTRESS ARE NOT APPROVED BY THE MANUFACTURER.

 **WARNING:** DO NOT MAKE ANY ALTERATIONS OR MODIFICATIONS TO THE STROLLER WITH PRODUCTS NOT SUPPLIED BY THE MANUFACTURER AS THIS MAY CAUSE INSTABILITY OR STRUCTURAL DAMAGE NOT COVERED UNDER WARRANTY.

NOTICE

THIS ARTICLE MEETS OR EXCEEDS ALL REQUIREMENTS COVERED IN ASTM F833 STANDARD AND LATEST REVISIONS.

The images referring to the textile details may differ from the collection purchased.

For more information, consult our website: www.pegperego.com

CHASSIS:

INSTRUCTIONS

- 1 **OPENING:** Before opening the frame, if present, remove (without using blades) all die-cut cardboard.
WARNING:
 - DO NOT PULL OR FORCE THE FASTENER BEYOND ITS LIMIT.
 - DO NOT USE THE FASTENER AS A HANDLE BAR FOR TRANSPORT OR TO CARRY WEIGHTS. DO NOT HANG BAGS OR OTHER ACCESSORIES ON THIS ELEMENT.Press the side fastener downwards, grip the upper ends of the handle bar and rotate them towards you until the chassis has opened completely (fig_a). Opened chassis (fig_b). The chassis is opened correctly when you hear a click, which corresponds to the handle bar frame attaching - please look at the picture.
- 2 **FITTING THE WHEELS:** slot the rear wheel crosspiece onto the uprights (fig_a), ensuring that it is facing the right way, then attach the rear wheels until they click into place (fig_b). To assemble the front wheels, fit them into the slots until they lock into place (fig_c).
- 3 **FITTING THE HANDLE BAR:** insert the handlebar into the frame (fig_a) as shown in the picture. For the attachment to be complete, press the two buttons on the side of the handle bar (fig_b) and press the handle bar until you hear it click (fig_c).
- 4 **BASKET ASSEMBLY:** to facilitate basket assembly, pull the tab outwards and lift as shown in the figure (fig_a). Slip the basket flap into the slot along the front bar of the chassis (Fig_b).
- 5 Fasten the basket eyelets to the buttons on each side of the frame.
- 6 To complete the basket attachment procedure for the front part, you are required to insert the supplied tie (fig_1) as follows:
position it between the basket and buttons, as shown (fig_2) and use your finger to push downwards, so as to complete the attachment procedure (fig_3). Repeat the same procedure for the other side of the basket.
- 7 Attaching the rear part of the basket.
Remove the card from the rear bar.
Fasten the upper basket eyelet to the button on each side of the frame (Fig_a).
Fasten the basket's two lower eyelets to the two buttons on the rear bar of the frame (Fig_b).
- 8 Basket fastened correctly (fig_g).
Lastly, re-position the footrest, pressing inward with

your hand as shown in the figure (fig_h).

It is possible to increase the basket capacity by pulling the tab outwards (fig_i).

WARNING! If you do not hook the basket on correctly, as shown, the basket will be unable to support the weight of loads placed in it.

- 9 **FIXED OR SWIVELLING FRONT WHEELS:** to lock the front wheels, rotate the lever anticlockwise onto the locked padlock (fig_a), to release the wheels - turn the lever clockwise to the unlocked padlock (fig_b). On difficult terrain, we recommend using fixed wheels.
- 10 **BRAKE:** press the lever down to apply the brake and lock the frame. Do the opposite to release the brake.
- 11 **ADJUSTABLE HANDLE BAR:** to adjust the height of the handlebar, pull the levers towards you (fig_a) and move the handle bar until it clicks (fig_b). The handle bar can be adjusted in several positions.
- 12 **FOLDING:** lock the front wheels into fixed position (fig_a), put the handle bar to its lowest position (fig b). Rotate the safety lever to the left (fig_c) and pull the frame's internal handle towards you (fig_d). Lift the handle until the frame is completely folded (fig_e).
- 13 To fold correctly, make sure the side hook is engaged (fig_a). When folded, the chassis will stand upright (fig_b).
- 14 **TRANSPORT:** the stroller can be conveniently carried (with the front wheels in fixed position) using the central handle bar.
- 15 All the wheels can be removed to reduce dimensions further. To remove the back wheels: pull the lever downwards and remove the wheel as illustrated (fig_a). To remove the front wheels: press the tab as shown and remove the wheels (fig_b).

T-MATIC SYSTEM

- 16 T-Matic System is the quick, practical system that allows you to attach to the Ypsi Chassis:
 - Ypsi Seat
 - Primo Viaggio 4+35 Nido, Primo Viaggio 4+35 car Seat (with Primo Viaggio LINKS adapters). Position them on the T-matic System and press on the product with both hands until they lock into place. Check that the child transport element is properly attached.

SERIAL NUMBERS

- 17 Ypsi Chassis, has the information on the product's production date on the lower part of the frame.
 - Product name, production date and serial number of the chassis. This information is essential in the event of a claim.

CLEANING AND MAINTENANCE

Cleaning must only be carried out by adults.
PRODUCT MAINTENANCE: protect from the weather: water, rain, or snow; prolonged and continuous exposure to bright sunlight may give rise to colour changes of various different materials; store this product in a dry place.

CLEANING THE CHASSIS: periodically clean all plastic parts with a damp cloth. Do not use solvent or similar cleaning products; keep all metal parts dry to prevent rusting; keep moving parts clean (adjustment mechanisms, locking mechanisms, wheels, ...) and free of dust and sand and, if necessary, lubricate with light machine oil.

SEAT:

INSTRUCTIONS

- 1 **OPENING:** Before opening the Ypsi Seat, remove (without using blades) any die-cut cardboard. Open the seat from the ends, pulling until it clicks.
- 2 **ATTACHING THE SEAT ONTO THE CHASSIS:** To fasten the Ypsi Seat, position it on the chassis (fig_a) and press down with both hands until it clicks (fig_b).
Ensure the Ypsi Seat is properly attached.
- 3 The Ypsi Seat can be attached onto the chassis in "world-facing" (fig_a) or "mum-facing" position (fig_b).
- 4 Always engage the brake on the chassis before fastening and unfastening the seat.
- 5 **REMOVING THE YPSI SEAT FROM THE CHASSIS:** To unfasten the Ypsi Seat, press the levers near the chassis attachments (fig_a) and lift the seat at the same time (fig_b).
- 6 **HOOD:** to use the hood, stretch it until it clicks (so it is completely open).
- 7 The hood comes with a mesh insert so that the baby can be seen from any position. To use it, open the zips (fig_a) and slide the hood's insert backwards (fig_b). Alternatively, the hood can be stretched further forwards (fig_c).
- 8 Sliding the hood's attachments on the uprights (fig_a), you can vary its distance from the seat (fig_b).
- 9 **ADJUSTING THE LEG REST:** To switch from "sitting" to "lying" or vice versa, simply press on the leg rest to obtain the configuration you wish.
- 10 **FRONT BAR:** The front bar can be removed by pushing the buttons on the sides (fig_a), or it can be opened on one side pressing one button only (fig_b).
- 11 **BED POSITION:** the seat can be adjusted in three positions, from "sitting" to "lying", with an intermediate position (fig_a). To switch from one position to another, pull the lever shown in the picture (fig_b).
- 12 **5-POINT SAFETY HARNESS:** to fasten, insert the two buckles into the waist strap (with the straps attached in the crotch strap) until you hear a click (fig_a). To unfasten them, press the button which is situated at the centre of the seatbelt buckle and pull the waist strap outwards (fig_b).
- 13 To tighten the waist strap, pull on both sides in the direction of the arrow; to loosen it, do the opposite.
- 14 The safety harness can be adjusted in 3 positions according to the child's height. You must use the higher positions as the child grows bigger.
- 15 Adjust the height, inserting the straps with shoulder pads through the eyelet in the backrest (fig_a) and pull them through the desired eyelets (fig_b).
- 16 **FOLDING THE YPSI SEAT ATTACHED ONTO THE CHASSIS:** the Ypsi Seat can be folded attached on the chassis only in world-facing position (fig_a).
To do this:
 - the leg rest must be in "sitting" position,
 - fold down the hood,
 - pull the levers on the up-right (fig_b)
 - fold Ypsi Seat onto itself (fig_c).
- 17 **WARNING:** If Ypsi Seat is in mum-facing position, it must be unfastened before folding (fig_a). It can take up less room when folded (fig_b) and can be conveniently carried using the supplied handle (fig_c).
- 18 **OPENING THE CHASSIS WITH YPSI SEAT ATTACHED:**
Press the side attachment fastener downwards, grip the upper ends of the handle bar and rotate them towards you until the chassis opens completely (fig_a). Ypsi chassis open (fig_b). A "click" sound means it has opened correctly and corresponds to the attachment onto the base. Next, open the Ypsi Seat from the ends, pulling it until it clicks (fig_c).
- 19 **FOLDING THE CHASSIS WITH YPSI SEAT ATTACHED:** put the front wheels in locked position (fig_a), lower the handle bar to the lowest position (fig_b). Rotate the safety lever to the left (fig_c) and, at the same time, pull the frame's internal handle bar towards you (fig_d). Lift the handle bar until the frame is completely folded (fig_e).
WARNING: If the seat is mum-facing it cannot be folded attached onto the chassis. It must be unfastened.
- 20 To fold correctly, check the side fastener is engaged (fig_a). If it has not engaged automatically, compress the frame slightly. The folded stroller is free-standing (fig_b).
- 21 **TRANSPORT:** the stroller can be conveniently carried (with the front wheels in locked position) using the central handle.
- 22 **REMOVING THE SOFT COVER:** to remove the hood cover, unfasten the 2 buttons near the pivots (fig_a), then press the buttons on the two attachments and remove the hood (fig_b). Lastly, extract the two rigid supports (fig_c).
- 23 To remove the soft cover from the seat, undo the straps on the side of frame.
- 24 Open the zip that attaches the sack to the horizontal bar (fig_a) and open the zip along

- the frame (fig_b), then remove the sack.
- 25 Remove the metal rod from the back of the leg rest.
- 26 To remove the sack, remove the rigid panel from the back until you can see the eyelets through which the belt ends pass (fig_a); insert those ends in the eyelets so that the belts can be separated from the plate and the sack removed (fig_b).

T-MATIC SYSTEM

T-Matic System is the quick, practical system that allows you to attach the Ypsi Seat to the Ypsi Chassis, thanks to the practical T_Matic attachments.

SERIAL NUMBERS

- 27 Information about the production date can be found on the Ypsi Seat.
- The product name, production date and serial number of the chassis.
This information is required for any complaints.

CLEANING AND MAINTENANCE

Cleaning must only be carried out by adults.

PRODUCT MAINTENANCE: protect from the weather: water, rain, or snow; prolonged and continuous exposure to bright sunlight may give rise to colour changes of various different materials; store this product in a dry place.

CLEANING THE SEAT: periodically clean all plastic parts with a damp cloth. Do not use solvent or similar cleaning products; keep all metal parts dry to prevent rusting; keep moving parts clean (adjustment mechanisms, locking mechanisms, wheels, ...) and free of dust and sand and, if necessary, lubricate with light machine oil.

CLEANING FABRIC PARTS: Brush the fabric parts to remove dust.

- When washing, closely follow the instructions stated on the label sewn into the cover.
- Do not use chlorine bleach.
- Do not iron.
- Do not dry clean.
- Do not remove stains with solvents.
- Do not tumble dry.

THE ORIGINAL ACCESSORY PEG PEREGO

Peg-Perego accessories are designed as a useful, practical means of simplifying the lives of parents. Discover all your product's accessories on www.pegperego.com

PEG-PÉREGO S.p.A.

Peg Pérego can make changes at any time to the models described in this publication for technical or commercial reasons.

PEG-PÉREGO AFTER-SALES SERVICE

If any parts of the item get lost or damaged, only use genuine Peg Pérego spare parts. For any repairs, replacements, information on the products and sales of genuine spare parts and accessories, contact the Peg Pérego Assistance Service and state the serial number of the product, if present.

USA

tel. 800.671.1701

fax 260.471.6332

call us toll free 1.800.671.1701

website www.pegperego.com

CANADA

tel. 905.839.3371

fax 905.839.9542

call us toll free 1.800.661.5050

website www.pegperego.com

ES_Español

Le agradecemos haber elegido un producto Peg-Pérego.

! ADVERTENCIA

IMPORTANTE: LEER ATENTAMENTE ESTAS INSTRUCCIONES Y CONSERVARLAS PARA UNA FUTURA UTILIZACIÓN.

SI NO SE SIGUEN ESTAS INSTRUCCIONES, SE PODRÍA ARRIESGAR LA SEGURIDAD DEL NIÑO.

DISEÑADO PARA UN NIÑO CON UN PESO MÁXIMO DE 50 lbs (22.7 KG) Y UNA ALTURA MÁXIMA DE 110 CM. LA CESTILLA HA SIDO REALIZADA PARA SOPORTAR UN PESO MÁXIMO DE 7 KG. LOS POSIBLES PORTABEBIDAS QUE VAN CON ESTE PRODUCTO ESTÁN CONCEBIDOS PARA SOPORTAR EL PESO MÁXIMO ESPECIFICADO EN EL PORTABEBIDAS EN CUESTIÓN. CUALQUIER BOLSA ENTREGADA JUNTO AL PRODUCTO ESTÁ REALIZADA PARA SOPORTAR UN PESO MÁXIMO DE 0,2 KG.

ESTE ARTÍCULO SE HA DISEÑADO PARA USARSE JUNTO CON UNA SILLA DE AUTO PRIMO VIAGGIO 4•35 NIDO, PRIMO VIAGGIO 4•35, YPSI SEAT, ASIENTO PEG-PÉREGO.

ANTES DE USAR LA SILLA DE AUTO, SEAT ASIENTO ASEGÚRESE DE QUE ESTÉ CORRECTAMENTE ENGANCHADA AL ARTÍCULO.

NO PONGA BEBIDAS CALIENTES EN EL PORTA BEBIDAS, NI OBJETOS QUE PESEN MÁS DE MEDIO KILO.

! ADVERTENCIA:

EL PESO MÁXIMO DEL BOLSO QUE SE COLOCA EN EL ASA (SE CUELGA) ES DE 2,2 LBS (1 KG)

! ADVERTENCIA:

NO COLOQUE EN EL ASA PESOS SUPERIORES A LOS INDICADOS POR EL FABRICANTE, PARA NO PERJUDICAR LA ESTABILIDAD NI LA SEGURIDAD DEL ARTÍCULO (PRODUCTO)

SI NO SE RESPETAN LAS INDICACIONES ESPECIFICADAS O SI SE USAN ACCESORIOS DIFERENTES DE LOS HOMOLOGADOS POR EL FABRICANTE, EL PRODUCTO PUEDE SER INESTABLE.

! ADVERTENCIA:

PARA EVITAR LESIONES GRAVES POR CAÍDAS O SI EL NIÑO ESCAPA DE LA SILLA DE PASEO, USAR SIEMPRE UN CINTURÓN DE SEGURIDAD DE 5 PUNTOS COMPLETO CON LA SILLA.

! ADVERTENCIA:

NO DEJAR NUNCA AL NIÑO SIN VIGILANCIA.

USAR SIEMPRE TODOS LOS

DISPOSITIVOS DE BLOQUEO CADA VEZ QUE LA SILLA DE PASEO NO ESTÉ EN MOVIMIENTO.

PARA EVITAR LESIONES GRAVES, ASEGURARSE DE QUE EL NIÑO NO PUEDA MOVERSE PELIGROSAMENTE MIENTRAS SE REGULA EL PRODUCTO.

TODAS LAS OPERACIONES DE ENSAMBLAJE DEBE REALIZARLAS SOLO UN ADULTO.

NO LEVANTAR LA SILLA DE PASEO COGIÉNDOLA POR LA BARRA FRONTAL.

LA BARRA FRONTAL NO HA SIDO CONCEBIDA PARA SOPORTAR PESOS.

ASEGURARSE DE QUE LA SILLA DE PASEO ESTÉ ABIERTA CORRECTAMENTE Y BLOQUEADA EN LA POSICIÓN CORRECTA PARA SU UTILIZACIÓN.

ASEGURARSE DE QUE LA SILLA DE AUTO O EL COCHECITO ESTÉN ENGANCHADOS CORRECTAMENTE A LA SILLA DE PASEO.

NO USAR LA SILLA DE PASEO CERCA DE ESCALERAS O ESCALONES; PRESTAR ATENCIÓN CUANDO SE UTILIZA EN ESCALERAS O ESCALERAS MECÁNICAS.

NO UTILIZAR EL PRODUCTO SI PRESENTA PARTES DAÑADAS O SI FALTA ALGUNA PARTE.

NO USAR EN PRESENCIA DE LLAMAS O FUENTES DE CALOR.

! ADVERTENCIA:

DURANTE LAS OPERACIONES DE

APERTURA Y CIERRE, COMPRUEBE QUE EL NIÑO ESTÉ SUFICIENTEMENTE ALEJADO, PARA EVITAR QUE QUEDE ATRAPADO O HERIDO

⚠️ ADVERTENCIA:

NO AÑADIR NINGÚN COLCHÓN NO APROBADO POR EL FABRICANTE.

⚠️ ADVERTENCIA:

NO ALTERE NI MODIFIQUE EL COCHECITO CON PRODUCTOS NO PROVISTOS POR EL FABRICANTE, YA QUE PODRÍAN PROVOCAR INESTABILIDAD O DAÑOS ESTRUCTURALES NO CUBIERTOS POR LA GARANTÍA.

AVISO

ESTE PRODUCTO CUMPLE O NEBASA CON TODOS LOS REQUISITOS ESTABLECIDOS POR LA NORMA ASTM F833 Y ULTERIORES REVISIONES.

Las imágenes referidas a los detalles textiles podrían diferir de la colección comprada.

Para obtener más información, consulte nuestro sitio web: www.pegperego.com

CHASIS:

INSTRUCCIONES DE USO

- 1 APERTURA: Antes de abrir el chasis, si lo hay, retire (sin utilizar cuchillas) todo el troquelado de cartón.

ADVERTENCIA:

NO TIRE NI FUERCE EL GANCHO DE CIERRE SI NO ES AL FIN DEL PASEO.

NO UTILICE EL GANCHO DE CIERRE COMO UN ASA DE TRANSPORTE NI PARA COLGAR PESOS.

NO CUELGUE BOLSOS U OTROS ACCESORIOS A ESTE OBJETO.

Presione el gancho de cierre lateral hacia abajo, sujete los extremos superiores del asa y gírelos hacia usted hasta que el chasis esté completamente abierto (fig_a). Chasis abierto (fig_b). La correcta apertura se indica con un «clic», que corresponde al enganche del manillar del asa, consulte la imagen.

- 2 MONTAJE DE LAS RUEDAS: inserte la barra de las ruedas trasera en los soportes (fig_a) prestando atención a que lo hace en la dirección correcta, luego enganche las ruedas traseras (fig_b) hasta oír el clic. Para montar las ruedas delanteras, introdúzcalas en su alojamiento correspondiente hasta oír el clic (fig_c).
- 3 MONTAJE DEL ASA: inserte el asa en los alojamientos correspondientes (fig_a), como se muestra en la imagen.

Para completar el acoplamiento, es necesario presionar los dos botones laterales del asa (fig_b) y empujar el asa hacia arriba hasta oír el clic (fig_c).

- 4 MONTAJE DE LA CESTA: para facilitar el enganche de la cesta, tire de la lengüeta hacia fuera y levántela como se muestra en la imagen (Fig_a). Enganche el alerón de la cesta en la ranura a lo largo de la barra delantera del chasis (Fig_b).
- 5 Enganche lateralmente los ojales de la cesta a los botones del chasis en ambos lados.
- 6 Para completar el enganche de la cesta en la parte anterior hay que introducir el listón (Fig_1) entregado con el producto del siguiente modo: colóquelo entre la cesta y los botones como se muestra en la imagen (Fig_2) y, presionando con el dedo hacia abajo, engánchelo completamente (Fig_3). Siga el mismo procedimiento en el otro lado de la cesta.
- 7 Enganche de la cesta en la parte posterior. Retire el cartón de la barra posterior. Enganche el ojal superior de la cesta al botón del chasis en ambos lados (Fig_a). Enganche los dos ojales inferiores de la cesta a los dos botones de la barra posterior del chasis (Fig_d).
- 8 Cesta enganchada correctamente (Fig_g). Para terminar, vuelva a colocar el reposapiés presionando con la mano hacia dentro como se muestra en la imagen (Fig_h). Es posible aumentar la capacidad de la cesta tirando de la lengüeta hacia el exterior (Fig_i). **ADVERTENCIA! Si la cesta no se engancha correctamente tal y como aquí se indica, la cesta no sostendrá el peso de los objetos que se introducirán en ella.**
- 9 RUEDAS DELANTERAS FIJAS O PIVOTANTES: para que las ruedas delanteras queden fijas, gire la perilla en sentido contrario al de las agujas del reloj, llevándola sobre el candado cerrado (fig_a); para desbloquear las ruedas, gire la perilla en el sentido de las agujas del reloj, llevándola sobre el candado abierto (fig_b). Sobre terrenos irregulares se recomienda el uso de las ruedas fijas.
- 10 FRENO: presione la palanca de freno para bloquear el chasis. Para desbloquear el chasis, realice la operación inversa.
- 11 ASA EXTENSIBLE: para ajustar la extensión del asa, tire de las palancas hacia usted (fig_a) y deslice el asa hasta oír el clic (fig_b). El asa se puede ajustar en varias posiciones.
- 12 CIERRE: ponga las ruedas delanteras en posición fija (fig_a), reduzca completamente la extensión del asa (fig_b). Gire la palanca de seguridad hacia la izquierda (fig_c) y tire de la manija interior del chasis hacia usted (fig_d). Levante la manija hasta que el chasis esté completamente doblado (fig_e).
- 13 Para un cierre correcto, compruebe que el gancho lateral esté injertado (fig_a). El chasis cerrado se mantiene de pie solo (fig_b).
- 14 TRANSPORTE: se puede transportar cómodamente, con las ruedas delanteras fijas, siendo la manija central (fig_a).
- 15 Para que sea más compacto, es posible extraer

todas las ruedas.

Para extraer las ruedas traseras: tire de la palanca hacia abajo y extraiga la rueda como se muestra en la imagen (fig_a).

Para extraer las ruedas delanteras: pulse la lengüeta como se muestra en la imagen y extraiga la rueda (fig_b).

T-MATIC SYSTEM

16 T-Matic System es el sistema práctico y rápido para enganchar a Ypsi Chassis:

- Ypsi Seat

- Silla para auto Primo Viaggio 4+35 Nido, Primo Viaggio 4+35 (gracias a los adaptadores Primo Viaggio LINKS) gracias a los prácticos ganchos T_Matic

Apóyelos en el T-Matic System y empuje hacia abajo el producto, con las dos manos, hasta oír un clic.

Compruebe que el elemento de transporte del niño está enganchado correctamente.

NÚMEROS DE SERIE

17 Ypsi Chassis, incluye información relativa a la fecha de producción del mismo.

— Nombre del producto, fecha de producción y numeración del carrito.

Estas informaciones son indispensables en caso de reclamación.

LIMPIEZA Y MANTENIMIENTO

MANTENIMIENTO DEL PRODUCTO: proteger contra agentes atmosféricos (agua, lluvia o nieve). Una exposición continua y prolongada al sol podría causar cambios de color de muchos materiales. Conservar este producto en un lugar seco.

LIMPIEZA DEL CHASIS: Limpiar periódicamente las partes de plástico con un paño húmedo sin usar solventes u otros productos similares. Mantener secas todas las partes de metal para prevenir la oxidación. Mantener limpias todas las partes móviles (dispositivo de regulación, de enganche, ruedas...) quitando el polvo o la arena y, en caso necesario, engrasarlas con aceites ligeros.

ASIENTO:

INSTRUCCIONES DE USO

- 1 APERTURA: Antes de abrir Ypsi Seat, si lo hay, retire (sin utilizar cuchillas) todo el troquelado de cartón. Abra la silla por los extremos tirando de él hasta oír el clic.
- 2 ENGANCHE EN EL CHASIS: Para enganchar Ypsi Seat, colóquelo en el chasis (fig_a) y presione con ambas manos hasta oír un clic (fig_b). Compruebe que Ypsi Seat esté correctamente enganchado.
- 3 Es posible enganchar Ypsi Seat al chasis, ya sea colocándolo "con vista al mundo" (fig_a) o "con vista a la mamá" (fig_b).
- 4 Accione siempre el freno del chasis antes de engancharlo o desengancharlo.

5 DESENGANCHAR Ypsi Seat DEL CHASIS: Para desenganchar Ypsi Seat, presione las palancas ubicadas en los ganchos del chasis (fig_a) y levántelo al mismo tiempo (fig_b).

6 CAPOTA: para utilizar la capota, extiéndala hasta oír un clic para que la apertura sea completa.

7 La capota cuenta con una aplicación que permite ver al niño desde cualquier posición. Para aprovecharla, es necesario abrir las cremalleras (fig_a) y deslizar hacia atrás la sección de la capota (fig_b). Alternativamente, también es posible extender la capota más hacia adelante (fig_c).

8 Al deslizar los ganchos de la capota a lo largo de los soportes (fig_a), es posible variar la distancia entre la capota y el asiento (fig_b).

9 REGULACIÓN DEL APOYAPIERNAS: Para pasar de "sentado" a "acostado" o viceversa, simplemente presione el reposapiernas para obtener la configuración deseada.

10 BARRA FRONTAL: La barra frontal se puede desmontar presionando los botones en los extremos de la misma (fig_a), o se puede abrir de un lado presionando solo uno de los dos botones (fig_b).

11 POSICIÓN CUNA: la silla se puede reclinar en tres posiciones, desde "sentado" hasta "acostado", con una posición intermedia disponible (fig_a). Es posible pasar de una posición a otra tirando de la palanca que se muestra en la imagen (fig_b).

12 CINTURÓN DE SEGURIDAD DE 5 PUNTOS: para engancharlo, inserte las dos hebillas de la correa de la cintura (con tirantes enganchados en la correa de la entrepierna hasta oír el clic (fig_a). Para desengancharlo, presione el botón redondo colocado en el centro de la hebilla y tire de la correa de la cintura hacia afuera (fig_b).

13 Para ajustar la correa de la cintura, tire de ambos lados en el sentido de la flecha; para aflojarla, actúe en el sentido contrario.

14 Los cinturones de seguridad se pueden ajustar en 3 posiciones según la altura del niño. Es necesario moverse a la posición más alta cuando el niño es mayor.

15 Ajuste la altura insertando las correas con tirantes en la ranura del respaldo (fig_a) y extráigalas en las ranuras deseadas (fig_b).

16 CIERRE DE YPSI SEAT ENGANCHADO EN EL CHASIS: es posible cerrar Ypsi Seat enganchado en el chasis solo cuando el asiento está colocado con vista al mundo (fig_a). Para hacer esto:

- el apoyapiernas debe estar en la posición "sentado",
- cierre la capota,
- tire de las palancas de los soportes (fig_b)
- pliegue Ypsi Seat sobre sí mismo (fig_c).

17 ADVERTENCIA: Si Ypsi Seat está enganchado con vista a la mamá, es necesario desengancharlo para efectuar el cierre (fig_a). Es posible reducir las dimensiones totales cerrándolo (fig_b) y transportarlo cómodamente gracias al asa suministrada (fig_c).

18 APERTURA DEL CHASIS CON YPSI SEAT ENGANCHADO: Presione el gancho de cierre lateral hacia abajo, sujete los extremos

superiores del asa y gírelos hacia usted hasta que el chasis esté completamente abierto (fig_a). Ypsi Chassis abierto (fig_b). La correcta apertura se indica con un «clic», que corresponde al enganche de la base. Luego abra Ypsi Seat por los extremos tirando de él hasta oír el clic (fig_c).

- 19 **CIERRE DEL CHASIS CON YPSI SEAT**
ENGANCHADO: ponga las ruedas delanteras en posición fija (fig_a), reduzca completamente la extensión del asa (fig b). Gire la palanca de seguridad hacia la izquierda (fig_c) y tire de la manija interior del chasis hacia usted al mismo tiempo (fig_d). Levante la manija hasta que el chasis esté completamente doblado (fig_e).
- ADVERTENCIA: Si el asiento está orientado "con vista a la mamá", no es posible cerrarlo mientras está enganchado al chasis. Es necesario desengancharlo.**
- 20 Para un cierre correcto, compruebe que el gancho lateral esté injertado (fig_a); en el caso de que no se hubiera enganchado automáticamente, apriete ligeramente el chasis. La silla de paseo cerrada se mantiene de pie sola (fig_b).
- 21 **TRANSPORTE:** se puede transportar cómodamente, con las ruedas delanteras fijas, asiendo la manija central (fig_a).
- 22 **EXTRACCIÓN DEL TAPIZADO:** para extraer el tapizado de la capota, desabotone los 2 botones presentes cerca de los pernos (fig_a), luego pulse los botones de los dos ganchos y retírelo (fig_b). Finalmente, retire los dos soportes rígidos (fig_c).
- 23 Para extraer el tapizado de la silla, desabroche las correas laterales del chasis.
- 24 Abra la cremallera que une el tapizado a la barra horizontal (fig_a) y abra la cremallera a lo largo del chasis (fig_b), luego retire el tapizado del mismo.
- 25 Retire la pieza de hierro de la parte posterior del apoyapiernas.
- 26 Para retirar el tapizado, deslice el panel rígido desde la parte posterior hasta que los ojales desde donde pasan las terminales de la correa sean visibles (fig_a); insértelos en los ojales correspondientes para poder separar las correas de la placa y poder desmontarla (fig_b).

T-MATIC SYSTEM

T-Matic System es el sistema práctico y rápido para enganchar a Ypsi Chassis Ypsi Seat, gracias a los prácticos ganchos T_Matic.

NÚMEROS DE SERIE

- 27 Ypsi Seat incluye información relativa a la fecha de producción del mismo.
- _ Nombre del producto, fecha de producción y numeración de serie del asiento (fig_a) y del cochecito (fig_b).
- Estas informaciones son indispensables en caso de reclamación.

LIMPIEZA Y MANTENIMIENTO

MANTENIMIENTO DEL PRODUCTO: proteger contra agentes atmosféricos (agua, lluvia o nieve). Una exposición continua y prolongada

al sol podría causar cambios de color de muchos materiales. Conservar este producto en un lugar seco.

LIMPIEZA DEL ASIENTO: Limpiar periódicamente las partes de plástico con un paño húmedo sin usar solventes u otros productos similares. Mantener secas todas las partes de metal para prevenir la oxidación. Mantener limpias todas las partes móviles (dispositivo de regulación, de enganche, ruedas...) quitando el polvo o la arena y, en caso necesario, engrasarlas con aceites ligeros.

LIMPIEZA DE LAS PARTES DE TEJIDO:

Cepillar las partes de tejido para protegerlas del polvo.

- Para el lavado atenerse a la etiqueta cosida a la bolsa del producto.
- No utilizar lejía a base de cloro.
- No planchar.
- No lavar en seco.
- No eliminar las manchas con disolventes.
- No secar en secadoras con tambor rotativo.

THE ORIGINAL ACCESSORY

Peg-PÉREGO

Los accesorios Peg-Perego han sido concebidos como una ayuda útil y práctica destinada a simplificar la vida de padres y madres. Descubra todos los accesorios para su producto Peg-Perego en www.pegperego.com

PEG-PÉREGO S.p.A

Peg-Pérego podrá aportar en cualquier momento modificaciones a los modelos que se describen en el presente manual por razones técnicas o comerciales.

SERVICIO DE ASISTENCIA

PEG-PÉREGO

En caso de que se pierdan o se dañen partes del producto, utilizar sólo repuestos originales Peg-Pérego. Para eventuales reparaciones, sustituciones, informaciones sobre los productos, venta de recambios originales y accesorios, póngase en contacto con el Servicio de Asistencia Peg Perego indicando, si está presente, el número de serie del producto.

USA

tel. 800.671.1701

fax 260.471.6332

call us toll free 1.800.671.1701

website www.pegperego.com

FR_Français

Merci d'avoir choisi un produit Peg-Pérego.

MISE EN GARDE

— LIRE CES INSTRUCTIONS AVEC ATTENTION ET LES CONSERVER POUR TOUTE RÉFÉRENCE FUTURE. LA SÉCURITÉ DE VOTRE ENFANT POURRAIT ÊTRE MENACÉE SI CES INSTRUCTIONS NE SONT PAS RESPECTÉES.

— CE PRODUIT A ÉTÉ CONÇU POUR DES ENFANTS DONT LE POIDS N'EXCÈDE PAS 50 lbs (22.7 KG) ET LA TAILLE NE DÉPASSE PAS 110 CM (43 POUÇES). LE PANIER A ÉTÉ CONÇU POUR SUPPORTER DES CHARGES MAXIMALES DE 7 KG (15 lbs). LES POCHETTES OU SACS FOURNIS AVEC CE PRODUIT ONT ÉTÉ CONÇUS POUR SUPPORTER DES CHARGES MAXIMALES DE 0,2 KG (0,44 lbs).

— CET ARTICLE A ÉTÉ CONÇU POUR ÊTRE UTILISÉ AVEC UN PEG-PÉREGO: SIÈGE-AUTO PRIMO VIAGGIO 4-35 NIDO, SIÈGE-AUTO PRIMO VIAGGIO 4-35, SIÈGE YPSI SEAT .

— AVANT TOUTE UTILISATION, VEUILLEZ CONTRÔLER QUE LE SIÈGE-AUTO OU SEAT SIÈGE SONT FIXÉ CORRECTEMENT À L'ARTICLE.

— IL EST DÉCONSEILLÉ DE METTRE UN BIBERON OU UNE BOUTEILLE CONTENANT UNE BOISSON CHAUDE ET PESANT PLUS D' 0,5 KG DANS LE PORTE-BIBERON.

MISE EN GARDE:

— LE POIDS MAXIMUM ADMIS DANS LE SAC À APPLIQUER (SUSPENDRE) À LA POIGNÉE EST DE 2,2 LBS (1 KG)

MISE EN GARDE:

— NE PAS APPLIQUER À L'ANSE DES POIDS SUPÉRIEURS À CEUX DÉCLARÉS PAR LE FABRICANT POUR NE PAS COMPROMETTRE LA STABILITÉ ET LA SÉCURITÉ DE L'ARTICLE (PRODUIT)
— LE DÉFAUT D'OBSERVATION DES

SPECIFICATIONS DU FABRICANT OU L'EMPLOI D'ACCESSOIRES NON APPROUVES PAR LE FABRICANT PEUT AFFECTER LA STABILITÉ DU PRODUIT.

MISE EN GARDE:

— POUR ÉVITER DE GRAVES BLESSURES SUITE À LA CHUTE OU AU GLISSEMENT DE L'ENFANT DU PRODUIT, TOUJOURS UTILISER UNE CEINTURE DE SÉCURITÉ À 5 POINTS COMPLÈTE ASSOCIÉE AU SIÈGE.

MISE EN GARDE:

— NE JAMAIS LAISSER L'ENFANT SANS SURVEILLANCE.

— TOUJOURS ACTIONNER LES FREINS LORSQUE LE PRODUIT EST À L'ARRÊT.

— POUR ÉVITER DE GRAVES BLESSURES LORS DU RÉGLAGE DU PRODUIT, S'ASSURER QUE LES MEMBRES DE L'ENFANT NE SONT PAS EN CONTACT AVEC DES PIÈCES EN MOUVEMENT.

— L'ENSEMBLE DES PROCÉDURES DE MONTAGE ET D'UTILISATION DOIT ÊTRE EFFECTUÉ PAR UN ADULTE

— NE PAS SOULEVER LA POUSETTE PAR LA BARRE FRONTALE. ELLE N'A PAS ÉTÉ CONÇUE POUR SUPPORTER DES CHARGES.

— S'ASSURER QUE LA POUSETTE EST CORRECTEMENT OUVERTE EST BLOQUÉE DANS LA POSITION CONVENANT À SON UTILISATION.

— CONTRÔLER QUE LE SIÈGE ENFANT OU LE LANDAU EST CORRECTEMENT ACCROCHÉ À LA POUSETTE.

— NE PAS UTILISER CE PRODUIT À PROXIMITÉ DE MARCHES OU D'ESCALIERS; PRÊTER ATTENTION À LA MANIPULATION DU PRODUIT DANS DES ESCALIERS OU DES ESCALATORS.

— NE PAS UTILISER LE PRODUIT SI DES PIÈCES SONT MANQUANTES OU CASSÉES.

— NE PAS UTILISER PRÈS DU FEU OU D'UNE FLAMME DIRECTE.

MISE EN GARDE:

— PENDANT LES OPÉRATIONS

D'OUVERTURE ET DE FERMETURE
VEILLER À CE QUE L'ENFANT SOIT
ÉLOIGNÉ POUR ÉVITER TOUT RISQUE
DE COINCEMENT OU DE BLESSURE

MISE EN GARDE:

NE PAS AJOUTER DE MATELAS QUI
NE SOIT PAS APPROUVÉ PAR LE
FABRICANT.

MISE EN GARDE:

NE PAS ALTÉRER OU MODIFIER LA
POUSSETTE AVEC DES PRODUITS
FOURNIS PAR LE FABRICANT CAR
CELA POURRAIT RENDRE LE PRODUIT
INSTABLE OU PROVOQUER DES
DOMMAGES STRUCTURELS NON
COUVERTS PAR LA GARANTIE.

REMARQUE

CET ARTICLE REMPLIT LES CONDITIONS
REQUISES PAR LA NORME ASTM F833
ET RÉVISIONS RÉCENTES OU SATISFAIT
À DES CONDITIONS PLUS SÉVÈRES.

**Les images relatives aux détails textiles
pourraient différer de la collection achetée.
Pour plus d'informations, consulter notre site
internet : www.pegerego.com**

CHÂSSIS

INSTRUCTIONS D'UTILISATION

- 1 OUVERTURE : Avant d'ouvrir le châssis, le cas échéant, retirer (sans utiliser de lames) tous les éléments en carton.

MISE EN GARDE :

**NE PAS TIRER OU FORCER SUR LE
CROCHET DE FERMETURE AU-DELÀ DES
BUTÉES.**

**NE PAS UTILISER LE CROCHET DE
FERMETURE COMME POIGNÉE DE
TRANSPORT OU POUR Y ACCROCHER DES
POIDS.**

**NE PAS SUSPENDRE DE SACS OU AUTRES
ACCESSOIRES À CETTE PIÈCE.**

Presser le crochet de fermeture latérale vers le bas, saisir les extrémités supérieures de l'anse et les tourner vers soi jusqu'à ce que le chariot soit complètement ouvert (fig_a). Chariot ouvert (fig_b). L'ouverture correcte est confirmée par le déclic, qui correspond à l'accrochage du guidon de l'anse, voir figure.

- 2 MONTAGE DES ROUES : enfiler la barre des roues postérieures sur les montants (fig_a)

en faisant attention au sens correct, enfin accrocher les roues postérieures (fig_b) jusqu'au déclic. Pour monter les roues antérieures, les enfiler dans le siège prévu à cet effet jusqu'au déclic (fig_c).

- 3 MONTAGE DE L'ANSE : enfiler l'anse dans les emplacements prévus à cet effet (fig_a) comme sur la figure.
Pour compléter le montage, il faut appuyer sur les deux boutons se trouvant sur les côtés de l'anse (fig_b) pour presser l'anse jusqu'au déclic (fig_c).
 - 4 MONTAGE DU PANIER : pour faciliter la fixation du panier, tirer la languette vers l'extérieur et la soulever comme sur la figure (Fig_a). Accrocher l'ailette du panier dans la fissure située le long de la barre avant du châssis (Fig_b).
 - 5 Accrocher latéralement les œillets du panier sur les boutons des deux côtés du châssis.
 - 6 Pour compléter la fixation du panier à l'avant, il faut introduire la barrette (Fig_1) fournie avec, de la manière suivante :
la positionner entre le panier et les boutons comme cela est montré (Fig_2) et en appuyant avec le doigt vers le bas, l'accrocher complètement (Fig_3). Effectuer la même opération de l'autre côté du panier.
 - 7 Fixation du panier à l'arrière.
Ôter le carton de la barre arrière.
Accrocher l'œillet supérieur du panier sur le bouton du châssis, des deux côtés (Fig_a). Accrocher les deux œillets inférieurs du panier sur les deux boutons de la barre arrière du châssis (Fig_b).
 - 8 Panier fixé correctement (Fig_g).
Pour finir, repositionner le repose-pied en appuyant avec la main vers l'intérieur comme sur la figure (Fig_h).
Il est possible d'augmenter la capacité du panier en tirant la languette vers l'extérieur (Fig_i).
- MISE EN GARDE ! Si le panier n'est pas accroché correctement selon les indications, le panier ne peut pas supporter le poids des charges qui seront placées à l'intérieur.**
- 9 ROUES ANTÉRIEURES FIXES OU PIVOTANTES : pour que les roues antérieures soient fixes, tourner le levier dans le sens contraire à celui des aiguilles d'une montre sur le verrou fermé (fig_a), pour débloquer les roues, tourner le levier dans le sens des aiguilles d'une montre sur le verrou ouvert (fig_b). Sur les terrains difficiles il est conseillé d'utiliser les roues fixes.
 - 10 FREIN : appuyer sur le levier du frein pour bloquer le châssis. Pour débloquer le châssis, suivre la procédure inverse.
 - 11 ANSE EXTENSIBLE : pour régler l'extension de l'anse, tirer les leviers vers soi (fig_a) et faire glisser l'anse jusqu'au déclic (fig_b). L'anse peut être réglée sur plusieurs positions

- 12 FERMETURE : mettre les roues antérieures fixes (fig_a), réduire complètement l'extension de l'anse (fig_b). Tourner le levier de sécurité vers la gauche (fig_c) et tirer la poignée interne du châssis vers soi (fig_d). Soulever la poignée jusqu'à ce que le châssis soit complètement plié (fig_e).
- 13 Pour une fermeture correcte, vérifier que le crochet latéral soit enclenché (fig_a). Le chariot fermé tient debout tout seul (fig_b).
- 14 TRANSPORT : on peut le transporter facilement en tenant les roues antérieures fixes et en empoignant la poignée centrale.
- 15 Il est possible de retirer les roues pour plus de compacité.
Pour retirer les roues postérieures : tirer le levier vers le bas et retirer la roue comme sur la figure (fig_a).
Pour retirer les roues antérieures : appuyer sur la languette comme sur la figure, et retirer les roues (fig_b).

T-MATIC SYSTEM

- 16 **T-Matic System est le système pratique et rapide qui vous permet d'accrocher à Ypsi Chassis :**
- Ypsi Seat
- Siège-auto Primo Viaggio 4•35 Nido, Primo Viaggio 4•35 (avec adaptateurs Primo Viaggio LINKS) grâce aux fixations pratiques T_Matic.
Les poser sur T-Matic System et appuyer sur le produit avec les deux mains jusqu'au dé clic.
Vérifier que le dispositif de transport de l'enfant soit correctement accroché.

NUMÉROS DE SÉRIE

- 17 Des informations relatives à la date de production figurent sur Ypsi Chassis.
 _ Nom du produit, date de production et numéro de châssis.
 Ces informations sont indispensables en cas de réclamation.

NETTOYAGE ET ENTRETIEN

ENTRETIEN DE L'ARTICLE: protéger l'article des agents atmosphériques (eau, pluie ou neige); une exposition continue et prolongée au soleil pourrait entraîner un changement de couleur de nombreux matériaux; ranger cet article dans un lieu sec.

NETTOYAGE DU CHÂSSIS: nettoyer régulièrement les pièces en plastique à l'aide d'un linge humide; ne pas utiliser de solvants ou autres produits similaires. Veiller à ce que toutes les pièces métalliques restent sèches pour prévenir la formation de rouille. Maintenir le bon état de propreté de toutes les pièces mobiles (mécanismes de réglage, mécanismes

de fixation, roues, etc.) en enlevant poussière ou sable; graisser avec une huile légère si nécessaire.

SIÈGE

INSTRUCTIONS D'UTILISATION

- 1 OUVERTURE : Avant d'ouvrir Ypsi Seat, le cas échéant, retirer (sans utiliser de lames) tous les éléments en carton. Ouvrir le siège aux extrémités en le tirant jusqu'au dé clic.
- 2 FIXATION AU CHARIOT : Pour fixer Ypsi Seat, le placer sur le chariot (fig_a) et appuyer des deux mains jusqu'au dé clic (fig_b). Vérifier qu'Ypsi Seat soit bien fixé.
- 3 Il est possible d'accrocher Ypsi Seat sur le chariot en le plaçant soit "côté route" (fig_a) soit "côté maman" (fig_b).
- 4 Toujours enclencher le frein du chariot avant de l'accrocher et de le décrocher.
- 5 DÉCROCHAGE Ypsi Seat DU CHARIOT : Pour décrocher Ypsi Seat appuyer sur les leviers qui se trouvent au niveau des fixations au chariot (fig_a) et le soulever au même moment (fig_b).
- 6 CAPOTE : pour utiliser la capote, la tendre jusqu'à ce qu'il y ait un dé clic, pour une ouverture complète.
- 7 La capote est dotée d'un empiècement permettant de voir l'enfant dans toutes les positions. Pour l'utiliser, il est nécessaire d'ouvrir les fermetures éclair (fig_a) et de faire glisser le pan de la capote en arrière (fig_b). En alternative, il est également possible de déployer encore plus la capote en avant (fig_c).
- 8 En faisant coulisser les attaches de la capote le long des montants (fig_a), il est possible de changer la distance entre cette dernière et le siège (fig_b).
- 9 RÉGLAGE REPOSE-PIED : Pour passer de la position "assise" à "couchée" ou inversement, il suffit d'appuyer sur le repose-pied pour obtenir la configuration voulue.
- 10 BARRE FRONTALE : On peut retirer la barre frontale en appuyant sur les boutons aux extrémités de celle-ci (fig_a), ou l'ouvrir sur un côté en appuyant seulement sur l'un des deux boutons (fig_b).
- 11 POSITION LIT : le siège peut être incliné sur trois positions, allant de position "assise" à "couchée", avec une position intermédiaire disponible (fig_a). Il est possible de passer d'une position à l'autre en tirant sur le levier indiqué sur la figure (fig_b).
- 12 CEINTURE DE SÉCURITÉ 5 POINTS : pour accrocher la ceinture, enclencher les deux boucles de la ceinture ventrale (avec les bretelles attachées dans la sangle d'entrejambes jusqu'au dé clic (fig_a). Pour le détacher, appuyer sur le bouton situé au centre de la boucle et tirer vers l'extérieur la ceinture

ventrale (fig_b).

- 13 Pour serrer la ceinture ventrale, tirer des deux côtés dans le sens indiqué par la flèche, pour la desserrer, procéder à l'opération contraire.
- 14 Il est possible de régler les ceintures de sécurité sur 3 hauteurs en fonction de la taille de l'enfant. Il est nécessaire de passer à la position plus haute quand l'enfant est plus grand.
- 15 Régler la hauteur, en enfilant les bretelles dotées des épaulières, dans les fentes du dossier (fig_a) et les retirer des fentes (fig_b).
- 16 FERMETURE YPSI SEAT FIXÉ SUR LE CHARIOT : il est possible de fermer Ypsi Seat fixé au chariot seulement dans la version côté monde (fig_a). Pour réaliser cette opération :
 - le repose-pied doit être en position "assis",
 - fermer la capote,
 - tirer les leviers présents sur le montant (fig_b)
 - replier Ypsi Seat sur lui-même (fig_c).
- 17 **MISE EN GARDE**: Si Ypsi Seat est accroché côté maman, pour effectuer la fermeture, il est nécessaire de le décrocher (fig_a). Il est possible de réduire l'encombrement en le fermant (fig_b) et de le transporter facilement grâce à la poignée fournie (fig_c).
- 18 OUVERTURE CHARIOT AVEC YPSI SEAT FIXÉ : Presser le crochet de fermeture latérale vers le bas, saisir les extrémités supérieures de l'anse et les tourner vers soi jusqu'à ce que le chariot soit complètement ouvert (fig_a). Ypsi chassis ouvert (fig_b). L'ouverture correcte est confirmée par le dé clic, qui correspond à l'accrochage de la base. Ouvrir ensuite Ypsi Seat par les extrémités en le tirant jusqu'au dé clic (fig_c).
- 19 FERMETURE CHARIOT AVEC YPSI SEAT FIXÉ : mettre les roues antérieures fixes (fig_a), réduire complètement l'extension de l'anse (fig_b). Tourner le levier de sécurité vers la gauche (fig_c) et tirer la poignée interne du châssis vers soi au même moment (fig_d). Soulever la poignée jusqu'à ce que le châssis soit complètement plié (fig_e).
MISE EN GARDE : Si le siège est "côté maman", il est impossible de le fermer quant il est fixé au chariot. Il faut le décrocher.
- 20 Pour une fermeture correcte, vérifier que le crochet latéral soit enclenché (fig_a), comprimer légèrement le châssis s'il n'est pas automatiquement accroché. La poussette reste debout toute seule (fig_b).
- 21 TRANSPORT : on peut le transporter facilement en tenant les roues antérieures fixes et en empoignant la poignée centrale.
- 22 DÉHOUSSAGE : pour déhousser la capote, débouonner les 2 boutons présents près des pivots (fig_a), puis appuyer sur les boutons des deux attaches et la retirer (fig_b). Enfin, retirer les deux supports rigides (fig_c).
- 23 Pour déhousser le siège, débouonner les

cordons sur les côtés du châssis.

- 24 Ouvrir la fermeture éclair qui lie le sac à la barre horizontale (fig_a) et ouvrir la fermeture éclair le long du châssis (fig_b) puis retirer le sac.
- 25 Retirer la barre en métal sur l'arrière du repose-pied.
- 26 Pour déhousser le sac, retirer le panneau rigide à l'arrière jusqu'à faire apparaître les fentes par lesquelles passent les extrémités des ceintures (fig_a) ; enfiler ces dernières dans les fentes correspondantes afin de pouvoir séparer les ceintures de la plaque et de pouvoir la retirer (fig_b).

T-MATIC SYSTEM

T-Matic System est le système pratique et rapide qui vous permet de fixer Ypsi Chassis à Ypsi Seat, grâce aux fixations pratiques T_Matic.

NUMÉROS DE SÉRIE

- 27 Ypsi Seat reporte les informations relatives à sa date de production.
 - Nom du produit, date de production et numéro de série du siège.Ces informations sont indispensables en cas de réclamation.

NETTOYAGE ET ENTRETIEN

ENTRETIEN DE L'ARTICLE: protéger l'article des agents atmosphériques (eau, pluie ou neige); une exposition continue et prolongée au soleil pourrait entraîner un changement de couleur de nombreux matériaux; ranger cet article dans un lieu sec.

NETTOYAGE DU SIÈGE: nettoyer régulièrement les pièces en plastique à l'aide d'un linge humide; ne pas utiliser de solvants ou autres produits similaires. Veiller à ce que toutes les pièces métalliques restent sèches pour prévenir la formation de rouille. Maintenir le bon état de propreté de toutes les pièces mobiles (mécanismes de réglage, mécanismes de fixation, roues, etc.) en enlevant poussière ou sable; graisser avec une huile légère si nécessaire.

NETTOYAGE DES ÉLÉMENTS EN TISSU: brosser les éléments en tissu pour éliminer la poussière.

- Pour le lavage, suivre les instructions figurant sur l'étiquette cousue sur la sacoche du produit.
- ne pas blanchir au chlore ;
- ne pas repasser ;
- ne pas laver à sec ;
- ne pas utiliser de solvants pour enlever les taches ;
- ne pas sécher dans un sèche-linge à tambour rotatif.

THE ORIGINAL ACCESSORY Peg-PEREGO

Les accessoires Peg-Perego ont été conçus en tant que support utile et pratique pour

simplifier la vie des parents. Découvrez tous les accessoires consacrés à votre produit Peg-Perego sur le site www.pegperego.com

PEG-PÉREGO S.p.A.

Peg-Pérego se réserve le droit de procéder à tout moment à des modifications sur les modèles décrits dans cet ouvrage, pour des raisons de nature technique ou commerciale.

SERVICE D'ASSISTANCE PEG-PÉREGO

En cas de perte de pièces ou de rupture de l'une d'elles, utiliser exclusivement des pièces de rechange originales Peg-Pérego. Pour toute réparation, remplacement, informations sur les produits, vente de pièces détachées d'origine et accessoires, contactez le service après-vente Peg Pérego en indiquant, si présent, le numéro de série du produit.

CANADA

tél. 905.839.3371

fax 905.839.9542

call us toll free 1.800.661.5050

site Internet www.pegperego.com

EN English

Declaration of conformity

- **Product name:** YPSI

- **Product reference number:** IP1528NA*

- **Reference Standards (origin):** ASTM F833-15 16 CFR, 1500 & 1501, 15 USC 1278a & 2057c CPSIA 2008

- **Declaration of conformity:** La PegPerego S.p.A. dichiara sotto la propria responsabilità che l'articolo in oggetto è stato sottoposto a test di collaudo interni e omologato secondo le normative vigenti presso laboratori esterni ed indipendenti.

- **Date and place of issue:** Arcore, August 2018
PegPerego S.p.A. Via De Gasperi, 50 20862 Arcore (MB), ITALY

ES Español

Declaración de conformidad

- **Denominación del producto:** YPSI

- **Código de identificación del producto:** IP1528NA*

- **Normativas de referencia (origen):** ASTM F833-15 16 CFR, 1500 & 1501, 15 USC 1278a & 2057c CPSIA 2008

- **Declaración de conformidad:** La PegPerego S.p.A. dichiara sotto la propria responsabilità che l'articolo in oggetto è stato sottoposto a test di collaudo interni e omologato secondo le normative vigenti presso laboratori esterni ed indipendenti.

- **Fecha y lugar de expedición:** Arcore, agosto de 2018. PegPerego S.p.A. Via De Gasperi, 50 20862 Arcore (MB), ITALY

FR Français

Declaration du conformité

- **Denomination du produit:** YPSI

- **Identification du produit:** IP1528NA*

- **Standard du referiment (origin):** ASTM F833-15 16 CFR, 1500 & 1501, 15 USC 1278a & 2057c CPSIA 2008

- **Declaration du conformité:** La PegPerego S.p.A. dichiara sotto la propria responsabilità che l'articolo in oggetto è stato sottoposto a test di collaudo interni e omologato secondo le normative vigenti presso laboratori esterni ed indipendenti.

- **Date et lieu du publication:** Arcore, août 2018
PegPerego S.p.A. Via De Gasperi, 50 20862 Arcore (MB), ITALY

PEG PEREGO S.p.A.

VIA DE GASPERI 50 20862 ARCORE MB ITALIA
tel. 0039 039 60881 fax 0039 039 615869/616454

Servizio Post Vendita - After Sale:

tel. 0039 039 6088213 fax: 0039 039 3309992



PEG PEREGO U.S.A. Inc.

3625 INDEPENDENCE DRIVE FORT WAYNE INDIANA 46808

phone 260 482 8191 fax 260 484 2940

Call us toll free: 1 800 671 1701

PEG PEREGO CANADA Inc.

585 GRANITE COURT PICKERING ONTARIO CANADA L1W3K1

phone 905 839 3371 fax 905 839 9542

Call us toll free: 1 800 661 5050

www.pegperego.com



Ypsi

⚠ WARNING

AVOID SERIOUS INJURY FROM FALLING OR SLIDING OUT.
ALWAYS USE COMPLETE 5 POINT SEAT BELT.

⚠ ADVERTENCIA

EVITE LESIONES DE CAIDAS O DESLIZAMIENTOS HACIA FUERA.
SIEMPRE UTILIZE EL CINTURON COMPLETO DE 5 PUNTOS.

⚠ MISE EN GARDE

EVITER UNE BLESSURE SÉRIEUSE DUE À UNE CHUTE OU À UN GLISSEMENT.
TOUJOURS UTILISER LA CEINTURE DE SÉCURITÉ À 5 POINTS COMPLÈTE.



FINA18011274